

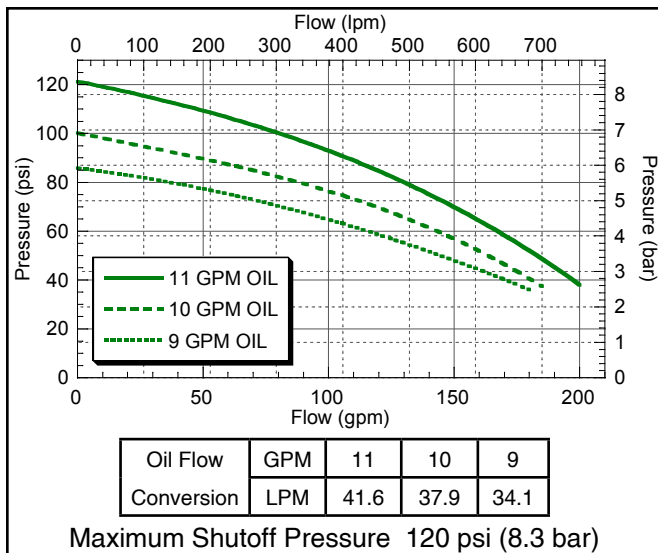
Stainless Steel Hydraulic Driven Centrifugal Pump



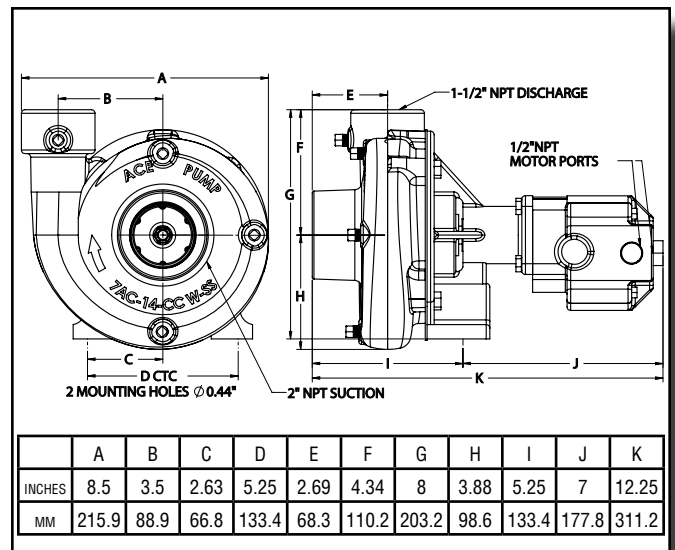
FMC-200SS-HYD-304

- Suction 2" Discharge 1-1/2"
- 316 Stainless Steel Wet End including Volute, Impeller, and Frame Liner
- Standard Viton® Carbon/Ceramic seal or Optional Severe Duty Silicon Carbide Mechanical Seal
- Recommended for use on the following Hydraulic Systems:
 - ✓ Pressure Compensating Closed Center
 - ✓ Load Sensing or Pressure Flow Compensating Closed Center
 - ✓ Open Center from 10 to 20 GPM (38 to 75 LPM)
- Integral Needle Valve bypasses up to 9 GPM (34 LPM) on Open Center Systems

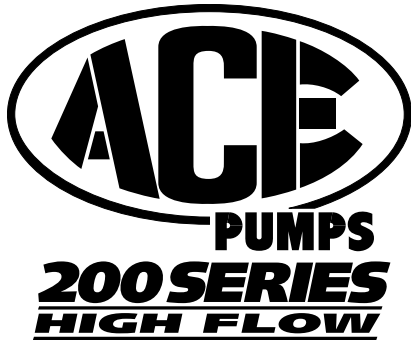
PERFORMANCE CHART



DIMENSIONS



Viton® is a registered trademark of DuPont Dow Elastomers.



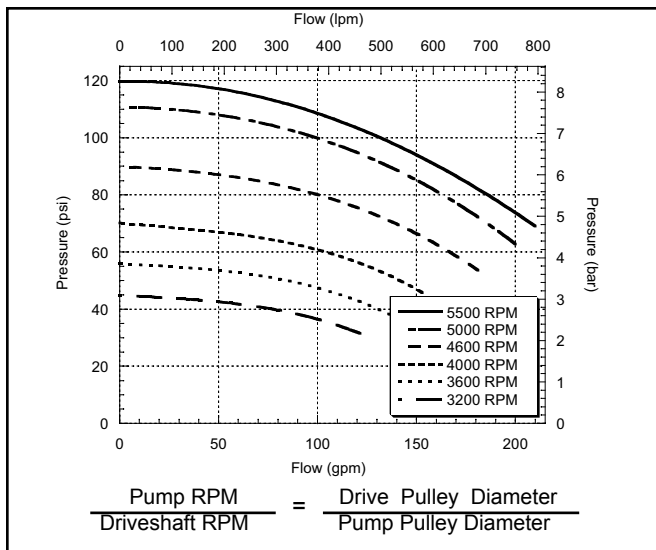
Stainless Steel Magnetic Clutch Driven Centrifugal Pump

FMC-200SS-MAG-DX

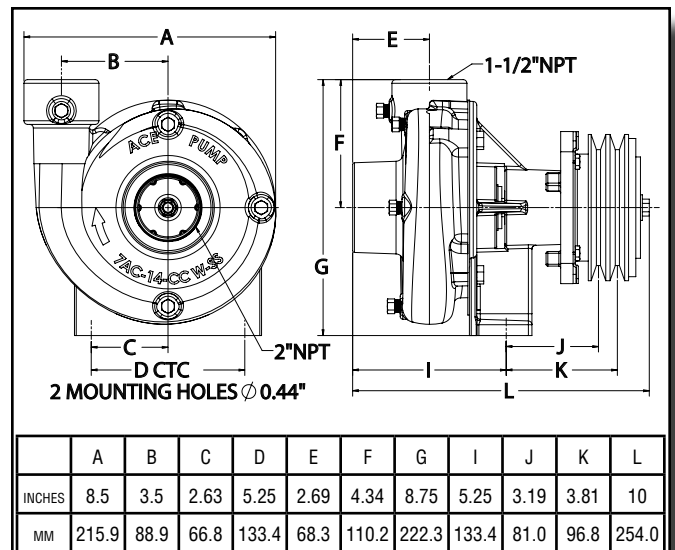
- Suction 2" Discharge 1-1/2"
- Counterclockwise Rotation when Facing Pulley End
- 316 Stainless Steel Wet End including Volute, Impeller, and Frame Liner
- Standard Viton® Carbon/Ceramic seal or Optional Severe Duty Silicon Carbide Mechanical Seal
- Heavy Duty 12 Volt DC Magnetic Clutch Transmits up to 44 HP at 4000 RPM
- 5" Solid Steel Dual Belt Drive Pulley for Single or Double Belt Drives



PERFORMANCE CHART



DIMENSIONS



Viton® is a registered trademark of DuPont Dow Elastomers.