



# ROLLER PUMPS FOR AGRICULTURAL SPRAYING

**ECONOMICAL PTO DRIVEN PUMPS OF PROVEN DESIGN  
FOR WEED/INSECT CONTROL AND GENERAL FARM USE**



## **MODEL 661-C CAST IRON 6 ROLLER PUMP**

Shaft—5/8" Stainless Steel  
Ports—3/4" NPT  
540 RPM—10 GPM MAX.  
300 PSI MAX.  
1000 RPM—17 GPM MAX.  
300 PSI MAX.



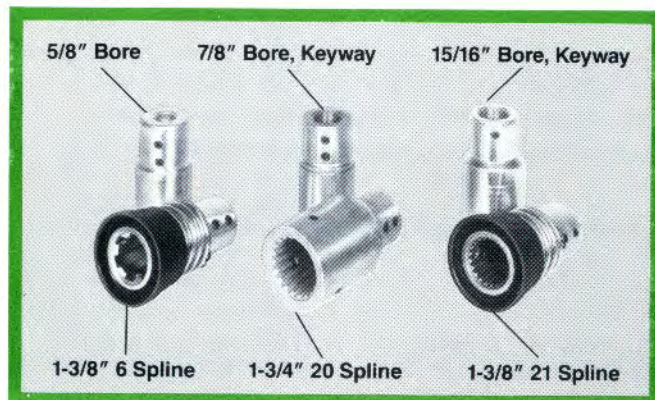
## **MODEL 881-C CAST IRON 8 ROLLER PUMP**

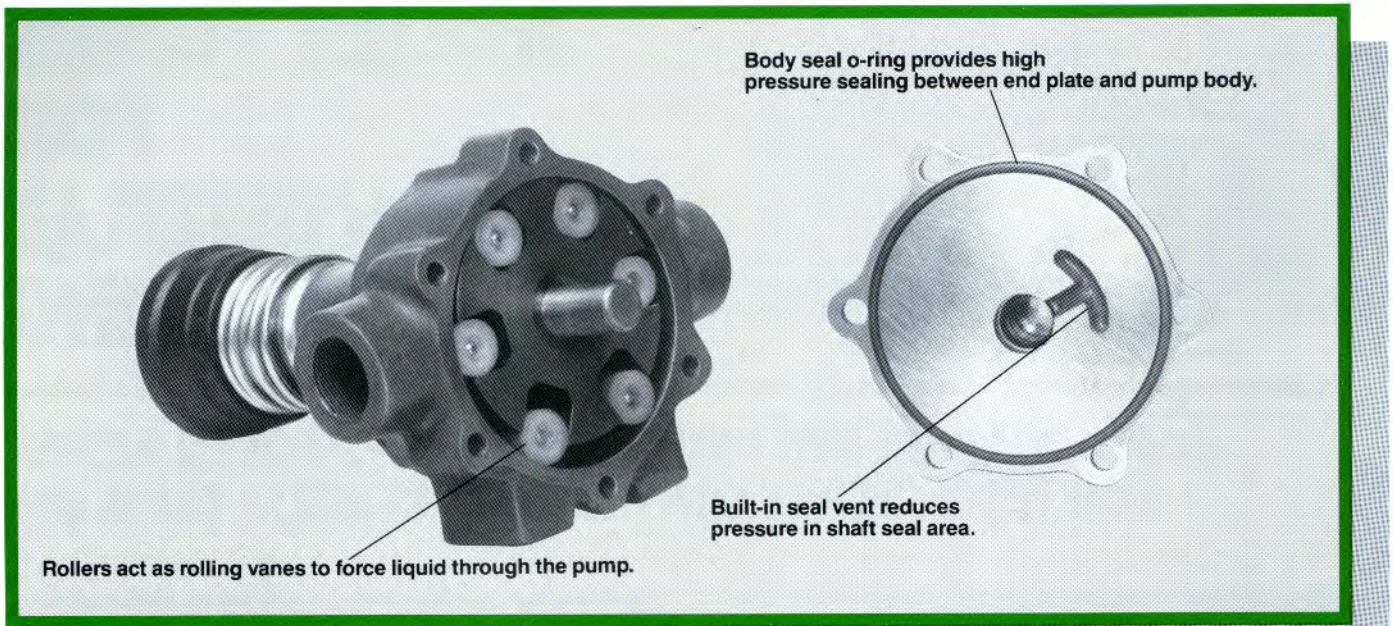
*(shown with optional roller changeout plug)*

Shaft—15/16" Stainless Steel  
Ports—3/4" NPT  
540 RPM—12 GPM MAX.  
200 PSI MAX.  
1000 RPM—22 GPM MAX.  
300 PSI MAX.

## **SUPERIOR FORGED STEEL SPLINED PTO ADAPTERS—**

Forged Steel at prices comparable to competition's die cast models. Available in quick coupler and standard construction for both 6 and 21 spline, 1-3/8" diameter PTO shafts. Also available in standard construction for the 20 spline, 1-3/4" diameter PTO shafts. Adapters will fit 5/8", 7/8" and 15/16" diameter pump shafts.





## DESIGN AND CONSTRUCTION FEATURES

Superior design and quality construction features are combined into two economical, compact Ace roller pump models. Preferred for low volume, moderate pressure spraying of field and row crops. Ideal for spot spraying around storage bins and fence rows. Develops sufficient pressure for penetrating livestock hair and reaching to tops of orchard trees. Adequate capacity for by-pass agitation too!

### FEATURES:

**Rollers**—Standard nylon for herbicides and insecticides. Optional poly rollers also handle water and non-lubricating fluids.

**Optional Roller Change-out Plug**—Available with 8 roller models for easy field inspection and replacement of worn rollers.

**Interchangeable Wearable Parts**—Body seal o-rings, rollers, shaft seals, and bearings are interchangeable with those of other popular pumps.

**Forged Steel Splined PTO Adapters**—Available in standard and quick coupler versions.

**Ball Bearings**—Pre-lubricated at the factory. Do not require additional greasing.

**Shaft Seals**—Available in leather, Viton, or buna N.

**Shaft**—Stainless steel for longer seal life.

**Housing, Rotor and End Plate**—Close grained cast iron.

## ORDERING INFORMATION

### ROLLER PUMP OPTIONS

#### Optional Roller Change-Out Plug

— 8 roller models only

Add to  
Suffix

P

#### Roller Materials

— Nylon is standard  
— Polypropylene is optional

—  
Y

#### Shaft Seal Materials

— Leather is standard  
— Viton is optional  
— Buna N is optional

—

V

B

#### Direction of Rotation

— Counter clockwise when facing shaft is standard  
— Clockwise when facing shaft is optional (reverse rotation)

—

R

Example: Model 881-CPYVR would be an 8 roller cast iron pump with roller change-out plug, poly rollers, Viton seals, and clockwise or reverse rotation when facing shaft.

### FORGED STEEL SPLINED PTO ADAPTERS

*Adapters are ordered separately from pumps.*

#### 6 Roller Model 661-C Pump—5/8" Shaft

612-6SP Standard construction with 1-3/8" 6 splines for 540 RPM tractor PTO

612-6SPQC Quick coupler with 1-3/8" 6 splines for 540 RPM tractor PTO

612-21SP Standard construction with 1-3/8" 21 splines for 1000 RPM tractor PTO

612-21SPQC Quick coupler with 1-3/8" 21 splines for 1000 RPM tractor PTO

612-20SP Standard construction with 1-3/4" 20 splines for 1000 RPM tractor PTO

#### 8 Roller Model 881-C Pump—15/16" Shaft

812-6SP Standard construction with 1-3/8" 6 splines for 540 RPM tractor PTO

812-6SPQC Quick coupler with 1-3/8" 6 splines for 540 RPM tractor PTO

812-21SP Standard construction with 1-3/8" 21 splines for 1000 RPM tractor PTO

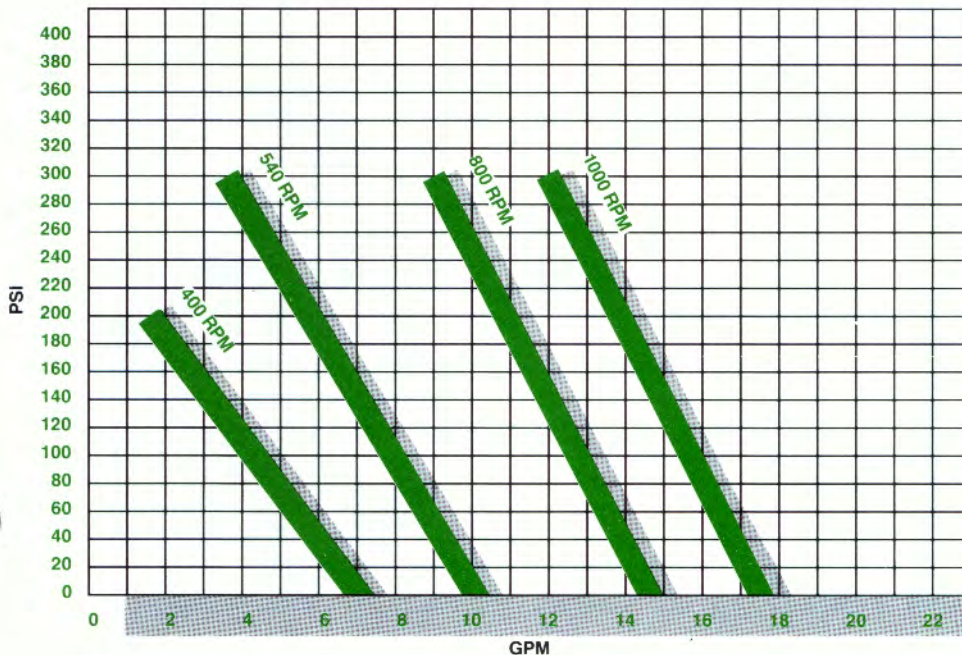
812-21SPQC Quick coupler with 1-3/8" 21 splines for 1000 RPM tractor PTO

812-20SP Standard construction with 1-3/4" 20 splines for 1000 RPM tractor PTO

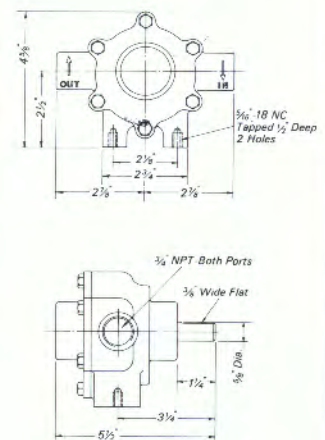
## MODEL 661-C

## TECHNICAL DATA

| PUMP SPEED (RPM) | 0 PSI |     | 50 PSI |      | 100 PSI |      | 150 PSI |      | 200 PSI |      | 250 PSI |      | 300 PSI |      |
|------------------|-------|-----|--------|------|---------|------|---------|------|---------|------|---------|------|---------|------|
|                  | GPM   | HP  | GPM    | HP   | GPM     | HP   | GPM     | HP   | GPM     | HP   | GPM     | HP   | GPM     | HP   |
| 400              | 7.0   | .07 | 4.8    | .49  | 4.0     | .75  | 3.0     | .80  | 1.5     | 1.00 | —       | —    | —       | —    |
| 540              | 10.0  | .10 | 9.0    | .60  | 7.6     | .95  | 6.8     | 1.20 | 5.7     | 2.0  | 4.2     | 2.2  | 3.5     | 3.0  |
| 800              | 14.5  | .20 | 13.3   | .92  | 12.5    | 1.28 | 12.0    | 1.75 | 11.1    | 2.25 | 10.0    | 2.75 | 9       | 3.25 |
| 1000             | 17.5  | .25 | 16.8   | 1.00 | 15.8    | 1.75 | 15.0    | 2.50 | 14.4    | 3.00 | 13.2    | 4.00 | 11.8    | 4.50 |



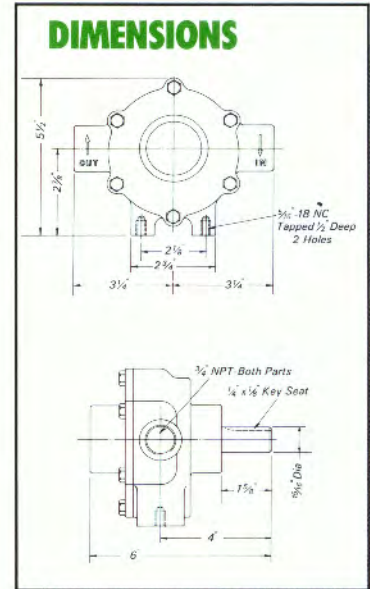
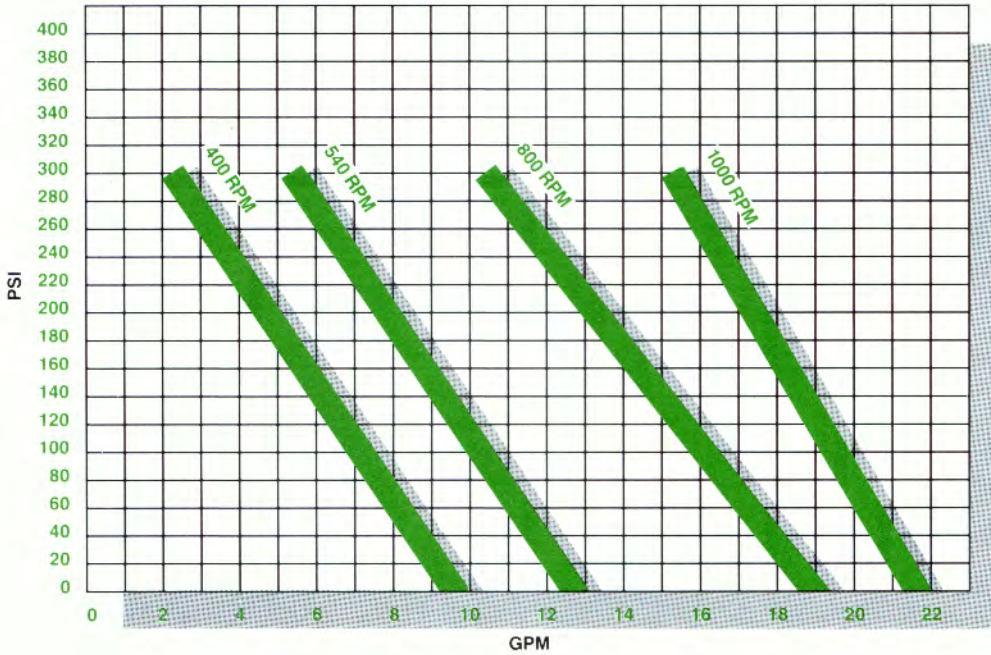
### DIMENSIONS



# MODEL 881-C

# TECHNICAL DATA

| PUMP SPEED (RPM) | 0 PSI |      | 50 PSI |      | 100 PSI |      | 150 PSI |      | 200 PSI |      | 250 PSI |      | 300 PSI |      |
|------------------|-------|------|--------|------|---------|------|---------|------|---------|------|---------|------|---------|------|
|                  | GPM   | HP   | GPM    | HP   | GPM     | HP   | GPM     | HP   | GPM     | HP   | GPM     | HP   | GPM     | HP   |
| 400              | 9.8   | .25  | 7.8    | .50  | 6.0     | 1.00 | 4.1     | 1.25 | 3.5     | 1.45 | 3.1     | 1.80 | 2.5     | 2.25 |
| 540              | 12.7  | .33  | 10.9   | .75  | 9.5     | 1.20 | 8.9     | 1.62 | 7.1     | 2.20 | 6.5     | 2.68 | 5.9     | 3.3  |
| 800              | 18.6  | .90  | 17.1   | 1.25 | 15.2    | 1.85 | 14.5    | 2.25 | 12.6    | 3.10 | 11.8    | 3.90 | 10.5    | 4.25 |
| 1000             | 22.1  | 1.40 | 21.0   | 1.70 | 19.2    | 2.50 | 18.7    | 3.40 | 17.6    | 4.22 | 16.9    | 4.95 | 15.5    | 5.89 |



DISTRIBUTED BY

Phone 901-948-8514  
 TELEX 534072 - FAX 901-774-6147  
 P.O. Box 13187 - 1650 Channel Ave.  
 Memphis, Tennessee 38113