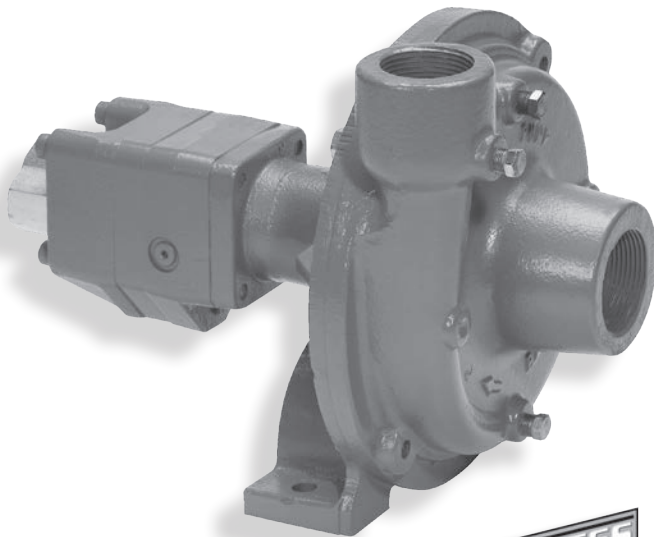




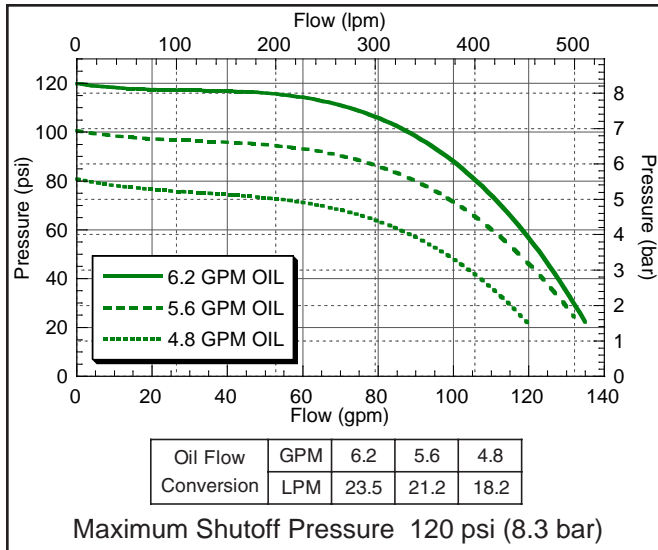
# High Performance Hydraulic Motor Driven Centrifugal Pump



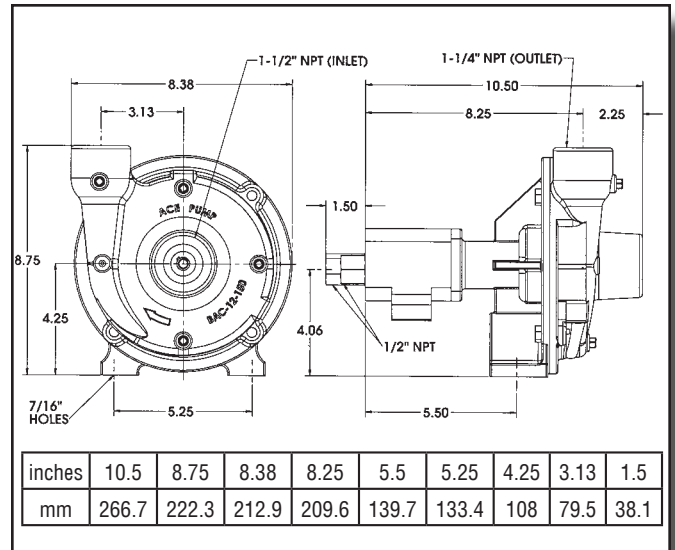
## FMC-150-HYD-206

- Suction 1-1/2" NPT x Discharge 1-1/4" NPT
- Recommended for use on the following Hydraulic Systems:
  - ✓ Pressure Compensating Closed Center
  - ✓ Load Sensing or Pressure Flow Compensating Closed Center
  - ✓ Open Center up to 16 GPM(60 LPM)
- Integral Needle Valve bypasses up to 9 GPM (34 LPM) on Open Center Systems
- Standard Viton® Carbon/Ceramic seal or Optional Severe Duty Silicon Carbide Mechanical Seal
- Chemical Resistant Valox® or Optional Cast Iron or Polypropylene Impeller
- Stainless Steel Shaft and Wear Ring

## PERFORMANCE CHART



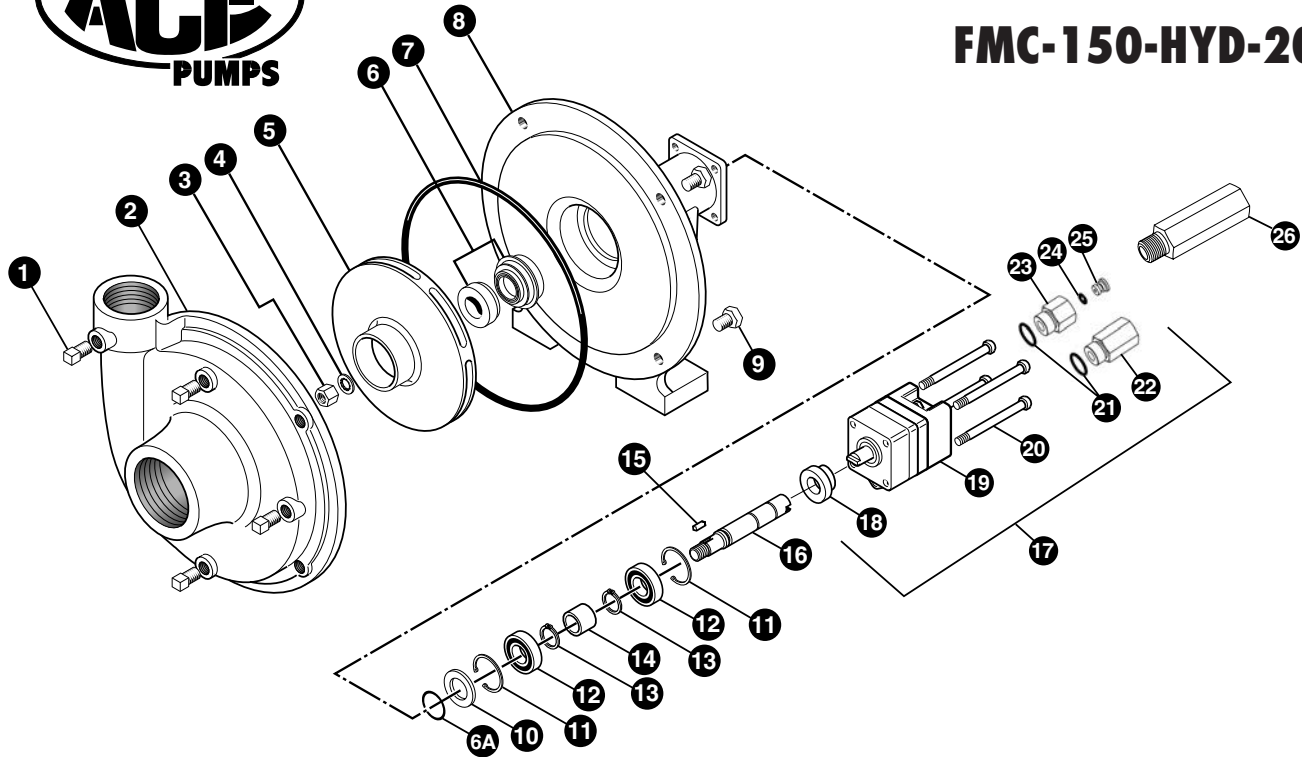
## DIMENSIONS



Valox® is a registered trademark of GE Plastics.  
 Viton® is a registered trademark of DuPont Dow Elastomers.



# FMC-150-HYD-206



REF. #	PART NUMBER	EDP #	DESCRIPTION	REQ.
1	BAC-53	41110	Pipe plug	4
1	41120	41120	Pipe plug, stainless steel (optional)	4
2	BAC-12-150	40255	Volute, 1-1/2" x 1-1/4"	1
3	BAC-23-A	40391	Nut, 3/8" NF, cad plated	1
3	BAC-23-B-SS	40393	Nut, 3/8" NF, stainless steel (standard on -SS models)	1
4 <sup>①②</sup>	BAC-24-HYD-SS	40400	Washer, 3/8" star, stainless steel	1
4	BAC-24-B-SS	42702	Washer, 3/8", stainless steel, vibration proof (standard on -SS models)	1
5	BAC-26-150-P	40446	Impeller, Valox, keyway	1
5	BAC-26-150-CI	40445	Impeller, cast iron, keyway (optional)	1
5	BAC-26-150-PI	40448	Impeller, polypropylene, keyway (optional)	1
6 <sup>①</sup>	BAC-7V	40151	Seal, carbon/ceramic/Viton (includes 40160 O-ring)	1
6 <sup>②</sup>	BAC-7SC	40152	Seal, silicon carbide/Viton (includes 40160 O-ring) (optional)	1
6A <sup>①②</sup>	40160	40160	O-ring, shaft seal	1
7 <sup>①②</sup>	BAC-4-150	40015	O-ring, body seal	1
8	BAC-14-150-HYD	40305	Mounting frame (for 200 Series hydraulic motor)	1
9	40950	40950	Cap screw, 3/8" NC x 3/4" hex head	4
9	40930	40930	Cap screw, 3/8" NC x 3/4" hex head, stainless steel (optional)	4
10	BAC-54	41130	Slinger	1
11	BAC-33	40810	Snap ring, internal, BAC-14 mounting frame	2
12	BAC-37	40870	Ball Bearing, sealed, BAC-6 shaft	2
13	BAC-32	40790	Snap ring, external, BAC-6 shaft	2
14	BAC-32-S	40795	Spacer for BAC-6 shaft	1
15	BACH-25	40420	Key, 1/8" x 1/8" x 1/2"	1
16	BAC-6-HYD-SS	40061	Shaft, 5/8" diameter, keyway and tang slot, stainless steel	1
17	BAC-75-HYD-206	41372	Hydraulic motor, 7 GPM (includes parts 18 - 25)	1
18	S200	40161	Seal support spacer for 200 Series HYD motor	1
19	BAC-75-HYD-206N	41397	Hydraulic motor, 7 GPM (motor only - no external fittings)	1
20	41255	41255	Cap screw, 5/16" N. C. x 3-3/4" socket head (for 206N motor)	4
21	41875	41875	O-ring, #8 SAE fitting	2
22	BAC-78-8SAE	41441	Reverse check valve, #8 SAE male x 1/2" NPT female	1
23	BAC-80-8SAE	41455	Adapter, restrictor body, #8 SAE male x 1/2" NPT female	1
24	41448	41448	O-ring, orifice insert	1
25	BAC-79-7	41456	Orifice, restrictor insert, .109 (206N)	1
26	LS-206N	41418	Flow limiting valve (206N), #8 SAE male x 1/2" NPT female	1
①	RK-FMC-150	52710	Repair kit for FMC-150 series pump	-
②	RK-FMCSC-150	52711	Repair kit for FMC-150 series with silicon carbide shaft seal	-
#	RK-BAC-75-HYD-L	41374	Repair kit for 200-L Series motor	-