



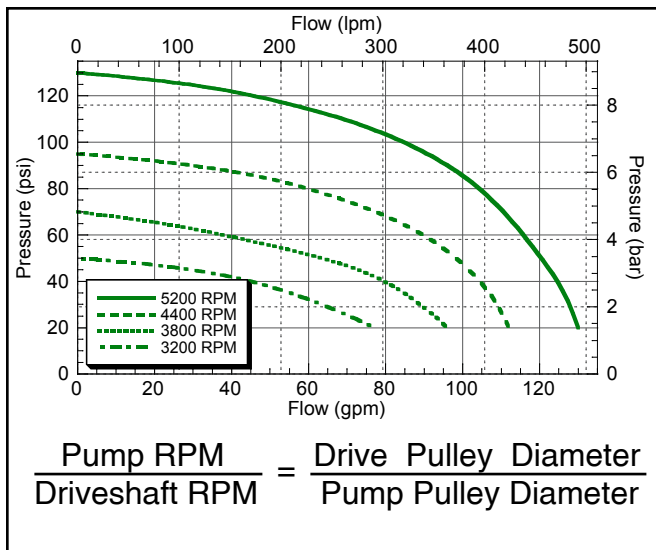
High Performance Magnetic Clutch Driven Centrifugal Pump

FMC-150-MAG-D

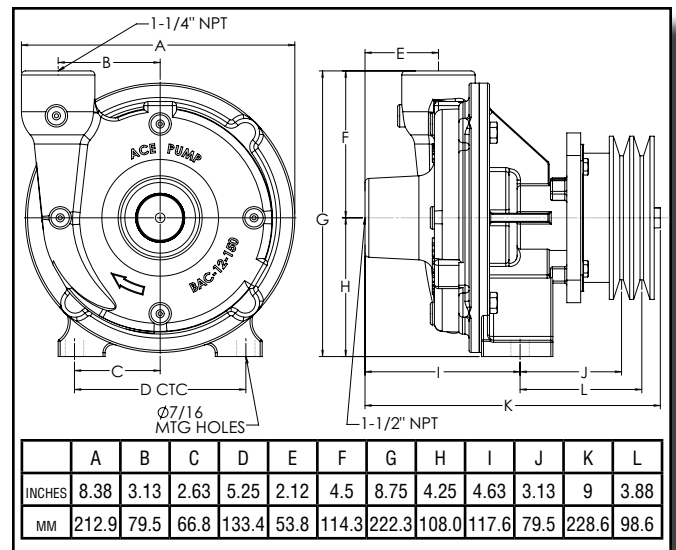


- Suction 1-1/2" - Discharge 1-1/4"
- 120 PSI and 46 GPM at 5,200 RPM shaft speed
- Counter Clockwise Rotation when Facing Shaft End
- Standard Viton® Carbon/Ceramic seal or Optional Severe Duty Silicon Carbide Mechanical Seal
- Chemical Resistant Valox® or Optional Cast Iron Impeller
- Clockwise Rotation when facing shaft
- Heavy Duty 12 Volt DC Magnetic Clutch Transmits up to 44 HP at 4000 RPM
- 5" Solid Steel Dual Belt Pulley for Single or Double Belt Drives

PERFORMANCE CHART



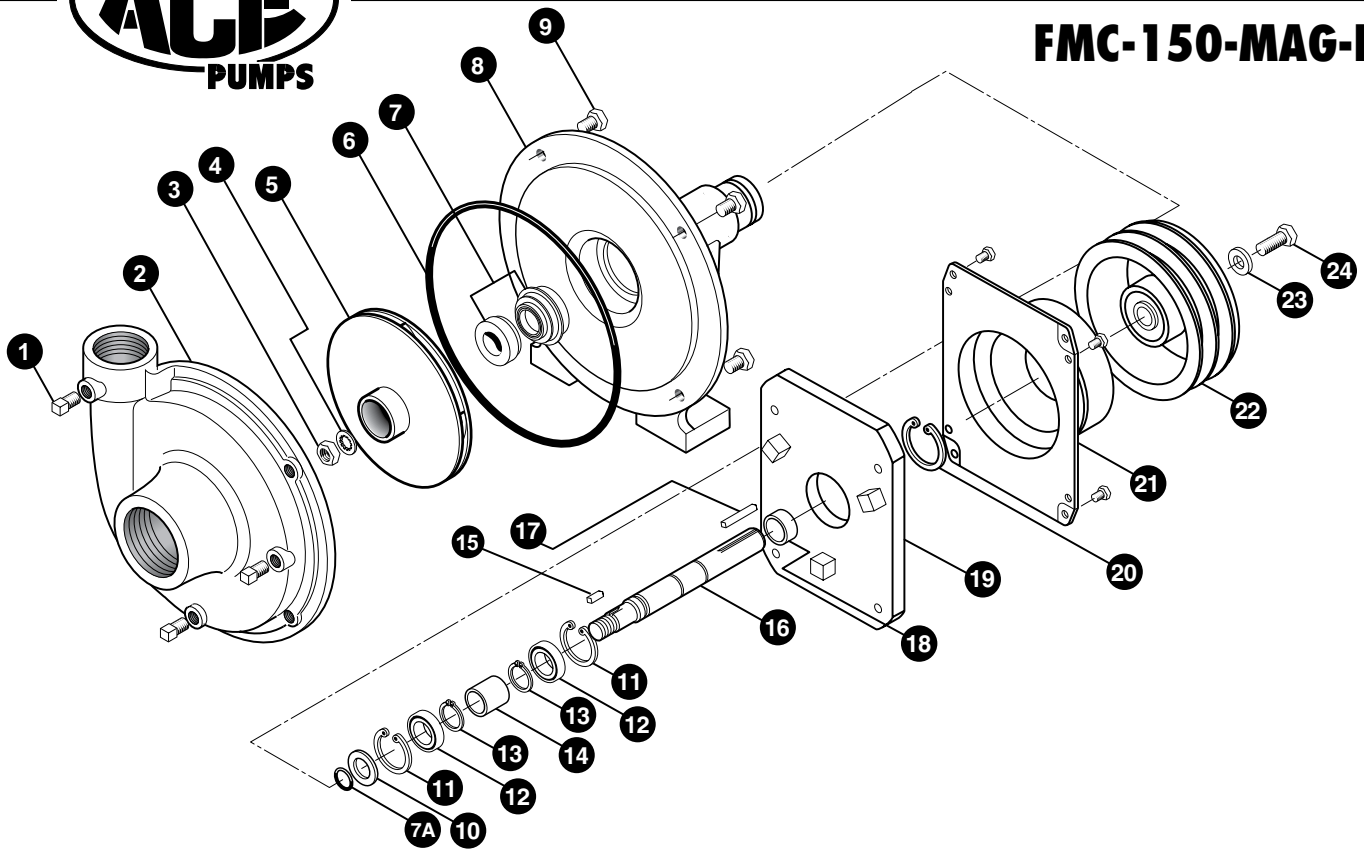
DIMENSIONS



Valox® is a registered trademark of GE Plastics.
Viton® is a registered trademark of DuPont Dow Elastomers.



FMC-150-MAG-D



REF. #	PART #	EDP #	DESCRIPTION	REQ.
1	BAC-53	41110	Pipe plug, 1/8" NPT	4
1	41120	41120	Pipe plug, 1/8" NPT, stainless steel (optional)	4
2	BAC-12-150	40255	Volute, 1-1/2" x 1-1/4", cast iron	1
3	BAC-23-A	40391	Nut, 3/8" NF Hex, cad plated locknut	1
3	BAC-23-A-SS	40392	Nut, 3/8" NF Hex, stainless steel locknut (optional)	1
4 ^{①②}	BAC-24-HYD-SS	40400	Washer, 3/8", stainless steel	1
5	BAC-26-150-P	40446	Impeller, 5-1/2" dia., thermoplastic	1
5	BAC-26-150-CI	40445	Impeller, 5-1/2" dia., cast iron (optional)	1
6 ^{①②}	BAC-4-150	40015	"O" Ring for BAC-12 volute seal	1
7 ^①	BAC-7V	40151	Seal, Viton mechanical seal (includes 40160 "O" ring)	1
7 ^②	BAC-7SC	40152	Seal, Silicon carbide mechanical seal (includes 40160 "O" Ring)(optional)	1
7A ^{①②}	40160	40160	"O" Ring for BAC-6 shaft	1
8	BAC-14-150-MIA	40308	Mounting frame, machined for idler arm	1
9	40930	40930	Cap screw, 3/8" NC x 3/4" Hex head, stainless steel (optional)	4
9	40950	40950	Cap screw, 3/8"NC x 3/4" Hex head	4
10	BAC-54	41130	Slinger	1
11	BAC-33	40810	Snap ring, internal, BAC-14 mounting frame	2
12	BAC-37	40870	Bearing, BAC-6 driven shaft	2
13	BAC-32	40790	Snap ring, external, BAC-6 driven shaft	2
14	BAC-32-S	40795	Spacer for BAC-6 shaft	1
15	BACH-25	40420	Key, 1/8" x 1/8" x 1/2"	1
16	BAC-6-150-D-SS	40076	Shaft, 5/8" Driven, -D clutch, stainless steel	1
17	BAC-50	41080	Key, 3/16" x 3/16" x 1-1/4"	1
18	41492	41492	Spacer, -D clutch	1
19	41491	41491	Adapter plate, -D clutch	1
20	BAC-36	40850	Snap ring, external, BAC-13 idler arm	1
21	41496	41496	Coil ring with 4 cap screws, - D clutch, 12 volt, DC activated	1
22	41497	41497	5" Pulley assy., -D clutch	1
23	41494	41494	Washer, -D clutch attachment	1
24	GE-60	42230	Cap Screw, 5/16" NF x 3/4", -D clutch attachment	1
①	RK-FMC-150	52710	Repair kit for FMC series	-
②	RK-FM CSC-150	52711	Repair kit for FMC series with silicon carbide shaft seal	-
#	41493	41493	Magnetic Clutch assembly, includes 41492, 41496, and 41497	-