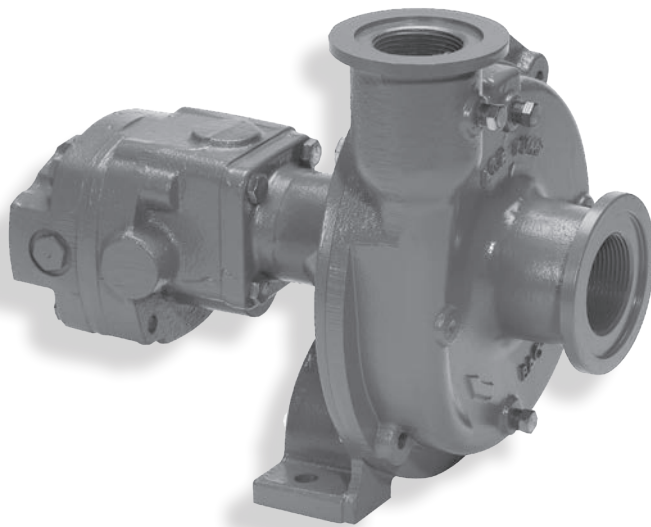




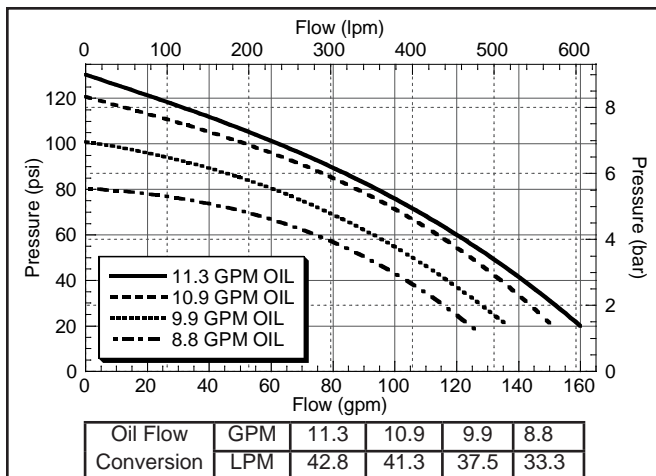
High Performance Hydraulic Motor Driven Centrifugal Pump



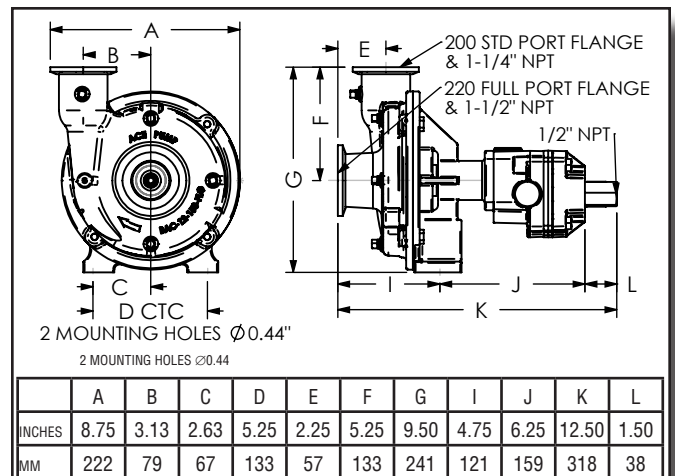
FMC-150F-HYD-304

- Suction 220 Flange & 1-1/2" NPT
- Discharge 200 Flange & 1-1/4" NPT
- Recommended for use on the following Hydraulic Systems:
 - ✓ Pressure Compensating Closed Center
 - ✓ Load Sensing or Pressure Flow Compensating Closed Center
 - ✓ Open Center from 11 to 20 GPM - Integral Needle Valve bypasses up to 9 GPM on Open Center Systems
- High Efficiency Gear Motor - 11 GPM Maximum Flow
- Standard Viton® Carbon/Ceramic seal or Optional Severe Duty Silicon Carbide Mechanical Seal
- Chemical Resistant Valox® or Optional Cast Iron Impeller
- Stainless Steel Shaft and Wear Ring

PERFORMANCE CHART



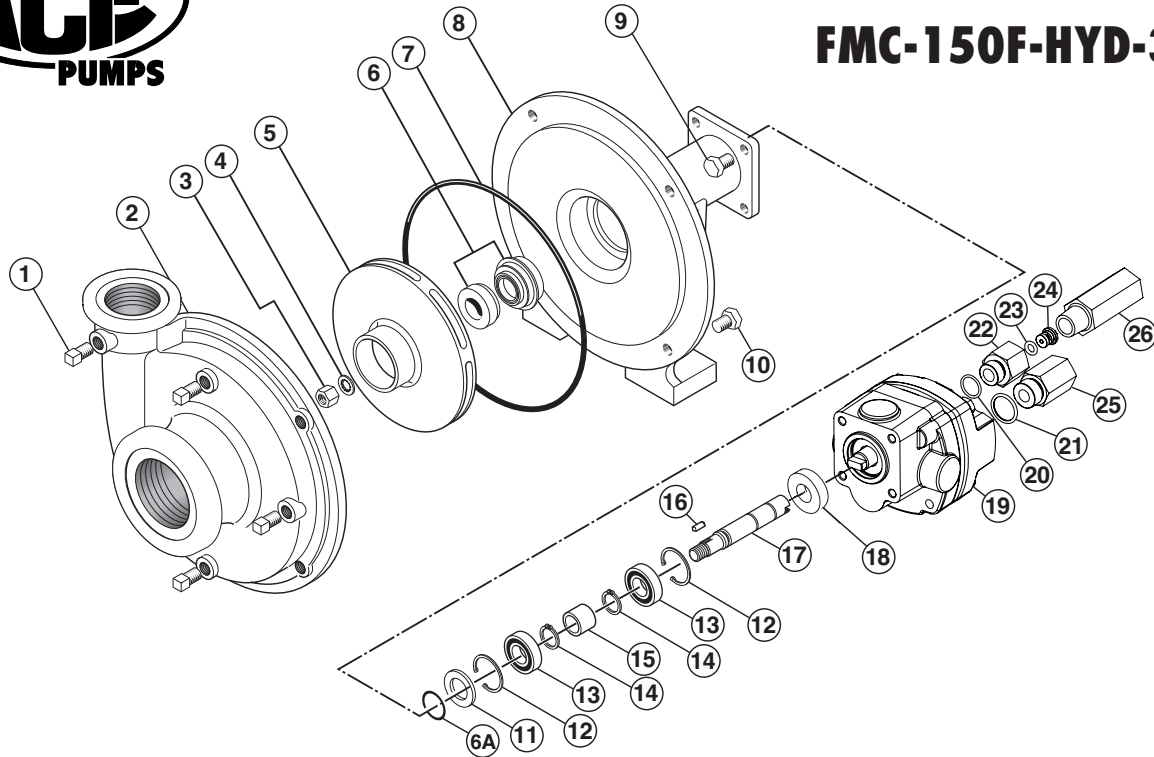
DIMENSIONS



Valox® is a registered trademark of GE Plastics.
 Viton® is a registered trademark of DuPont Dow Elastomers.



FMC-150F-HYD-304



REF. #	PART NUMBER	EDP #	DESCRIPTION	REQ.
1	BAC-53	41110	Pipe plug	4
1	41120	41120	Pipe plug, stainless steel (optional)	4
2	BAC-12-150-FLG	40257	Volute, 1-1/2" NPT & 220 flange x 1-1/4" NPT & 200 flange	1
3	BAC-23-A	40391	Nut, 3/8" NF, cad plated	1
3	BAC-23-B-SS	40393	Nut, 3/8" NF, SS (optional)	1
4	BAC-24-HYD-SS	40400	Washer, 3/8" star, stainless steel	1
4	BAC-24-B-SS	42702	Washer, 3/8" SS, vibration proof (optional)	1
5	BAC-26-150-P	40446	Impeller, Valox, keyway	1
5	BAC-26-150-CI	40445	Impeller, cast iron, keyway (optional)	1
5	BAC-26-150-PI	40448	Impeller, polypropylene, keyway (optional)	1
6 ^①	BAC-7V	40151	Seal, mechanical, Viton (includes 40160 O-Ring)	1
6 ^②	BAC-7SC	40152	Seal, mechanical, silicon carbide (includes 40160 O-Ring) (optional)	1
6A ^{①②}	40160	40160	O-ring, shaft seal	1
7 ^{①②}	BAC-4-150	40015	O-ring, body seal	1
8	BAC-14-150-HYD-300	40304	Mounting frame (for 300 Series hydraulic motor)	1
9	41330	41330	Cap screw, 5/16" N. C. x 3/4" Hex head (for 304 motor)	4
10	40950	40950	Cap screw, 3/8" NC x 3/4" hex head	4
10	40930	40930	Cap screw, 3/8" NC x 3/4" hex head, stainless steel (optional)	4
11	BAC-54	41130	Slinger	1
12	BAC-33	40810	Snap ring, internal, BAC-14 mounting frame	2
13	BAC-37	40870	Ball Bearing, sealed, BAC-6 shaft	2
14	BAC-32	40790	Snap ring, external, BAC-6 shaft	2
15	BAC-32-S	40795	Spacer for BAC-6 shaft	1
16	BACH-25	40420	Key, 1/8" x 1/8" x 1/2"	1
17	BAC-6-HYD-SS	40061	Shaft, 5/8" diameter, keyway and tang slot, stainless steel	1
18	S300	40162	Seal support spacer for 300 Series HYD motor, effective 6/00	1
19	BAC-75-HYD-304N	41343	Hydraulic motor, 11 GPM (effective ?)	1
20	41875	41875	O-ring, #8 SAE fitting	1
21	41445	41445	O-ring, #10 SAE fitting	1
22	BAC-80-8SAE	41455	Body, restrictor orifice, #8SAE x 1/2" NPT	1
23	41448	41448	O-ring, orifice insert	1
24	BAC-79-8	41447	Orifice insert, restrictor insert, 0.125	1
25	41442	41442	Reverse check assembly, #10 SAE x 1/2" NPT	1
26	LS-304N	41429	Flow limiter (optional)	1
①	RK-FMC-150	52710	Repair kit for FMC-150 series pump	-
②	RK-FMCS-150	52711	Repair kit for FMC-150 series pump with silicon carbide seal	-
#	RK-BAC-75-HYD-300-L	41362	Repair kit for 300 series motor	-