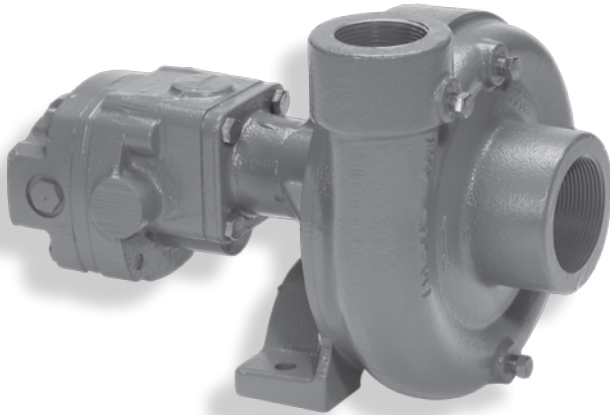


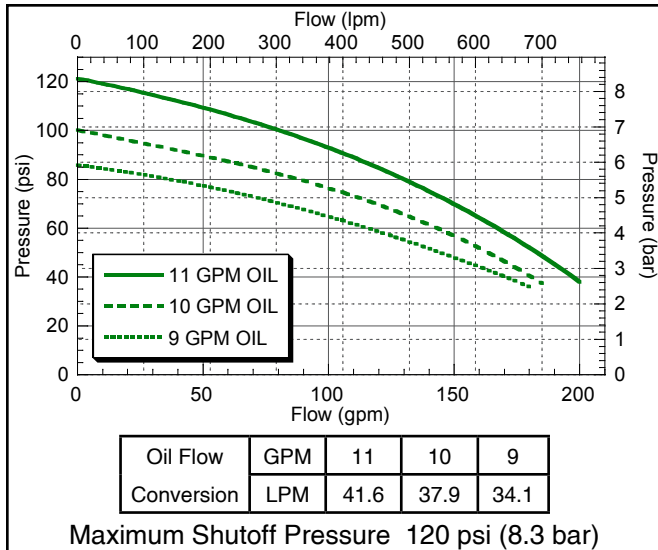
High Capacity Hydraulic Driven Centrifugal Pump



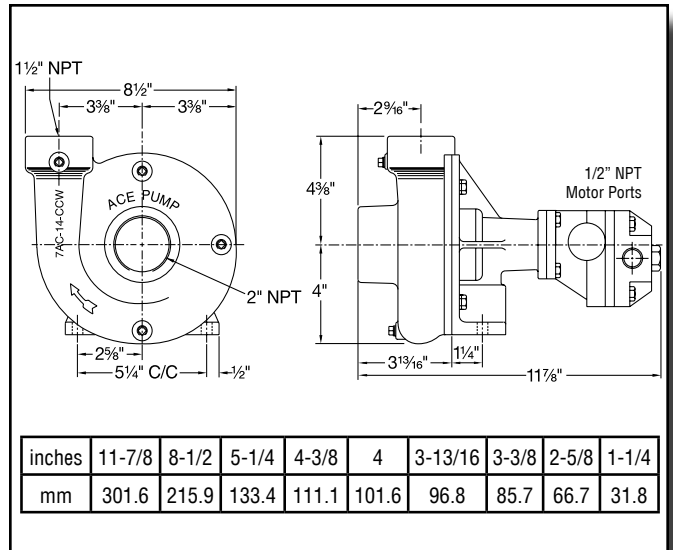
FMC-200-HYD-304

- Suction 2" Discharge 1-1/2"
- Recommended for use on the following Hydraulic Systems:
 - ✓ Pressure Compensating Closed Center
 - ✓ Load Sensing or Pressure Flow Compensating Closed Center
 - ✓ Open Center from 10 to 20 GPM (38 to 75 LPM)
- Integral Needle Valve bypasses up to 9 GPM (34 LPM) on Open Center Systems
- Standard Viton® Carbon/Ceramic seal or Optional Severe Duty Silicon Carbide Mechanical Seal
- Chemical Resistant Valox® or Optional Cast Iron Impeller
- Stainless Steel Shaft and Wear Ring

PERFORMANCE CHART



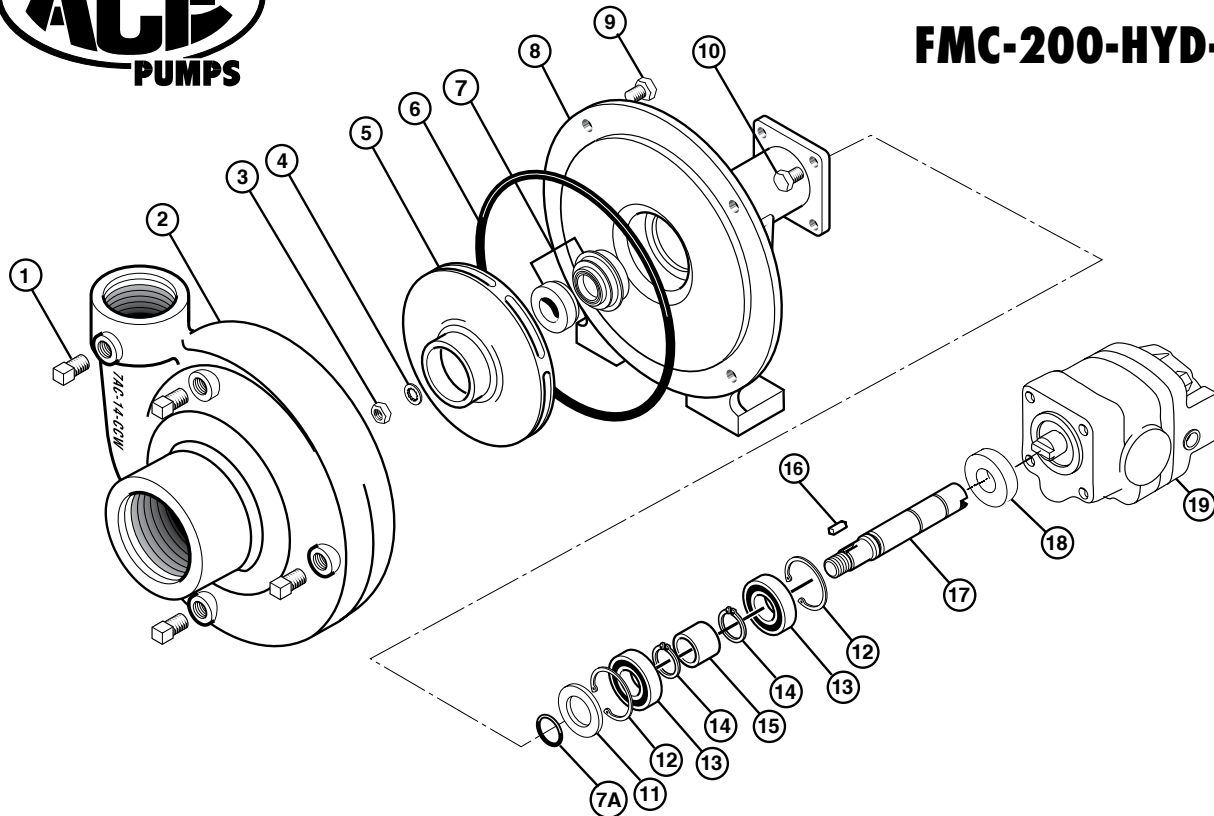
DIMENSIONS



Valox® is a registered trademark of GE Plastics.
 Viton® is a registered trademark of DuPont Dow Elastomers.



FMC-200-HYD-304



| REF # | PART NUMBER | EDP # | DESCRIPTION | REQ. |
|-------|-----------------------|-------|--|------|
| 1 | BAC-53 | 41110 | Pipe plug | 4 |
| 1 | 41120 | 41120 | Pipe plug, stainless steel (optional) | 4 |
| 2 | 7AC-14-CCW | 41526 | Volute, 2" x 1-1/2" | 1 |
| 3 | BAC-23-A | 40391 | Nut, 3/8" NF, cad plated | 1 |
| 4 | BAC-24-HYD-SS | 40400 | Washer, 3/8" star, stainless steel | 1 |
| 5 | BAC-26-200-CI | 40433 | Impeller, with extended keyway, cast iron (optional) | 1 |
| 5 | BAC-26-200-P | 40434 | Impeller, with extended keyway, thermoplastic | 1 |
| 6① | BAC-4A | 40005 | O-ring, body seal | 1 |
| 7① | BAC-7V | 40151 | Seal, carbon/ceramic/Viton (includes 40160 "O" Ring) | 1 |
| 7② | BAC-7SC | 40152 | Seal, silicon carbide (includes 40160 "O" Ring) (optional) | 1 |
| 7A | 40160 | 40160 | O-ring, shaft seal | 1 |
| 8 | BAC-14-HYD-300A | 40314 | Mounting frame (for -300A series hydraulic motor) | 1 |
| 9 | 40950 | 40950 | Cap screw, 3/8" NC x 3/4" hex head | 4 |
| 9 | 40930 | 40930 | Cap screw, 3/8" NC x 3/4" hex head, stainless steel (optional) | 4 |
| 10 | 41330 | 41330 | Cap screw, 5/16" N. C. x 3/4" hex head, motor to pump | 4 |
| 11 | BAC-54 | 41130 | Slinger | 1 |
| 12 | BAC-33 | 40810 | Snap ring, internal, BAC-14 mounting frame | 2 |
| 13 | BAC-37 | 40870 | Ball Bearing, sealed, BAC-6 shaft | 2 |
| 14 | BAC-32 | 40790 | Snap ring, external, BAC-6 shaft | 2 |
| 15 | BAC-32-S | 40795 | Spacer for BAC-6 shaft | 1 |
| 16 | BAC-25 | 40425 | Key, 1/8" x 1/8" x 13/16", extended keyway | 1 |
| 17 | BAC-6-HYD-200-SS | 40063 | Shaft, extended keyway, tang, stainless steel | 1 |
| 18 | S300 | 40162 | Seal support spacer for 300 Series HYD motor, effective 6/00 | 1 |
| 19 | BAC-75-HYD-304A | 41388 | Hydraulic motor, 11 GPM, 1/2" NPT ports | 1 |
| 19 | BAC-75-HYD-304A-12SAE | 41426 | Hydraulic motor, 11 GPM, #12 SAE end ports (optional) | 1 |
| ① | RK-FMC | 52700 | Repair kit for FMC series pump | - |
| ② | RK-FMCSC | 52706 | Repair kit for FMC series pump with silicon carbide shaft seal | - |
| # | RK-BAC-75-HYD-300-L | 41362 | Repair kit for 300 Series -L motor | - |

Ace Pump Corporation • P.O. Box 13187 - 1650 Channel Avenue • Memphis, TN 38113
 www.AcePumps.com • Phone: 901-948-8514 • Fax: 901-774-6147

Ace Form # FMC-200-HYD-304
 Revised 08/08