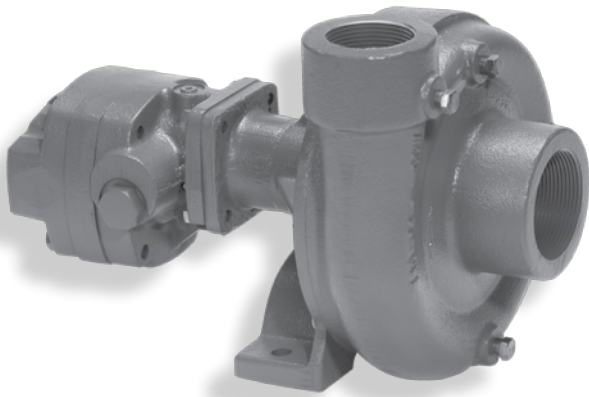




High Capacity Hydraulic Driven Centrifugal Pump

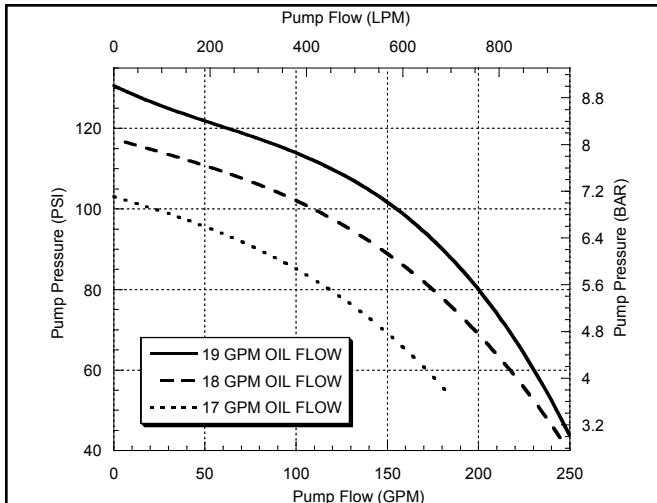
FMC-200-HYD-307

- Suction 2" Discharge 1-1/2"
- Recommended for use on Engineered Hydraulic Systems from 16 to 19 GPM
- #12 SAE Hydraulic Motor Ports
- Standard Viton® Carbon/Ceramic seal or Optional Severe Duty Silicon Carbide Mechanical Seal
- Chemical Resistant Valox® or Optional Cast Iron Impeller
- Stainless Steel Shaft and Wear Ring



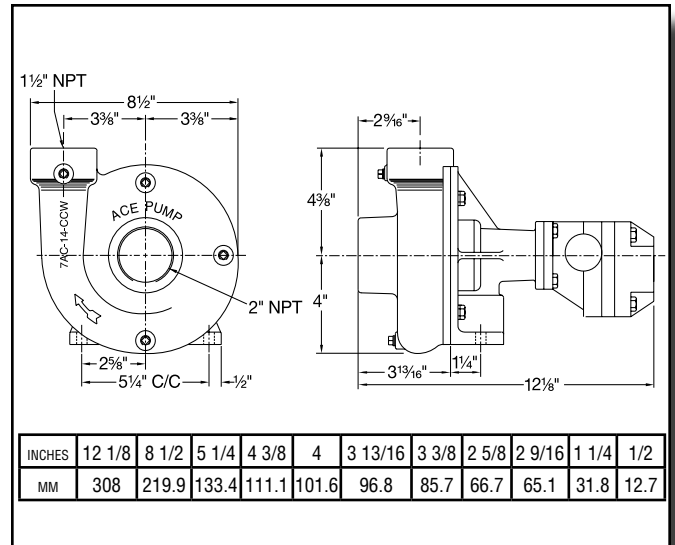
Valox® is a registered trademark of GE Plastics.
 Viton® is a registered trademark of DuPont Dow Elastomers.

PERFORMANCE CHART



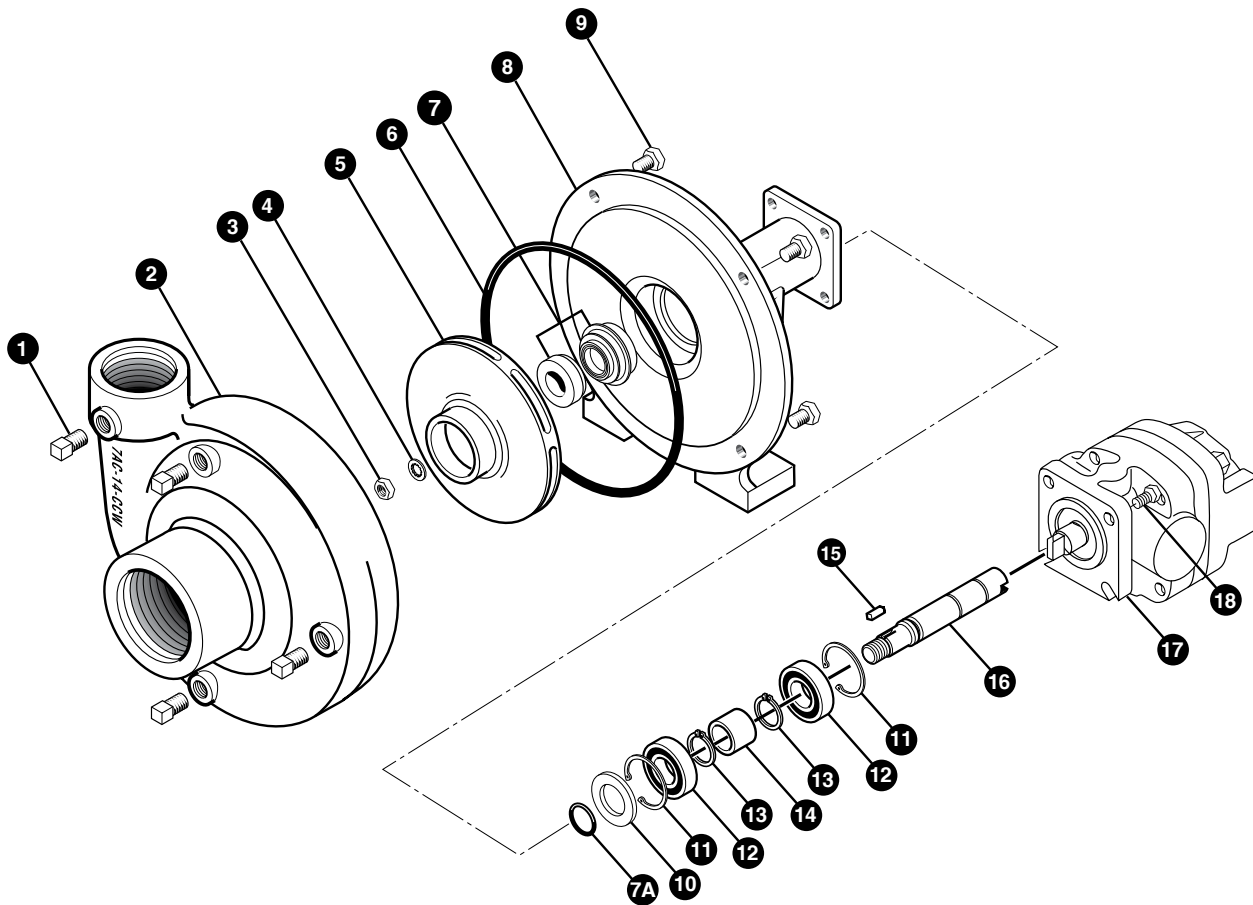
MAXIMUM SHUT-OFF PRESSURE - 130 PSI

DIMENSIONS





FMC-200-HYD-307



REF. #	PART NUMBER	EDP #	DESCRIPTION	REQ.
1	BAC-53	41110	Pipe plug	4
1	41120	41120	Pipe plug, stainless steel (optional)	4
2	7AC-14-CCW	41526	Volute, 2" x 1-1/2"	1
3	BAC-23-A	40391	Nut, 3/8" NF, cad plated	1
4	BAC-24-HYD-SS	40400	Washer, 3/8" star, stainless steel	1
5	BAC-26-200-P	40434	Impeller, with extended keyway, thermoplastic (effective 10/99)	1
5	BAC-26-200-CI	40433	Impeller, with extended keyway, cast iron (effective 10/98)(optional)	1
6①②	BAC-4A	40005	O-ring, body seal (effective 04/96)	1
7①	BAC-7V	40151	Seal, mechanical, Viton (includes 40160 "O" Ring)	1
7②	BAC-7SC	40152	Seal, mechanical, silicon carbide (includes 40160 "O" Ring) (optional)	1
7A①②	40160	40160	O-ring, shaft seal	1
8	BAC-14-HYD-300	40301	Mounting frame (for -300 series hydraulic motor)	1
9	40950	40950	Cap screw, 3/8" NC x 3/4" hex head	4
9	40930	40930	Cap screw, 3/8" NC x 3/4" hex head, stainless steel (optional)	4
10	BAC-54	41130	Slinger	1
11	BAC-33	40810	Snap ring, internal, BAC-14 mounting frame	2
12	BAC-37	40870	Ball Bearing, sealed, BAC-6 shaft	2
13	BAC-32	40790	Snap ring, external, BAC-6 shaft	2
14	BAC-32-S	40795	Spacer for BAC-6 shaft	1
15	BAC-25	40425	Key, 1/8" x 1/8" x 13/16", extended keyway (effective 10/98)	1
16	BAC-6-HYD-200-SS	40063	Shaft, extended keyway, tang slot, stainless steel (effective 10/98)	1
17	BAC-75-HYD-307	41382	Hydraulic motor, extended shaft (effective 04/01)	1
18	41330	41330	Cap screw, 5/16" N. C. x 3/4" hex head, motor to pump	4
①	RK-FMC	52700	Repair kit for FMC series pump	-
②	RK-FMCSC	52706	Repair kit for FMC series pump with silicon carbide shaft seal	-
#	RK-BAC-75-HYD-300	41361	Repair kit for 300 Series motor, quad ring shaft seal	-

Ace Pump Corporation • P.O. Box 13187 - 1650 Channel Avenue • Memphis, TN 38113
 www.AcePumps.com • Phone: 901-948-8514 • Fax: 901-774-6147

Ace Form # FMC-200-HYD-307
 Revised 08/08