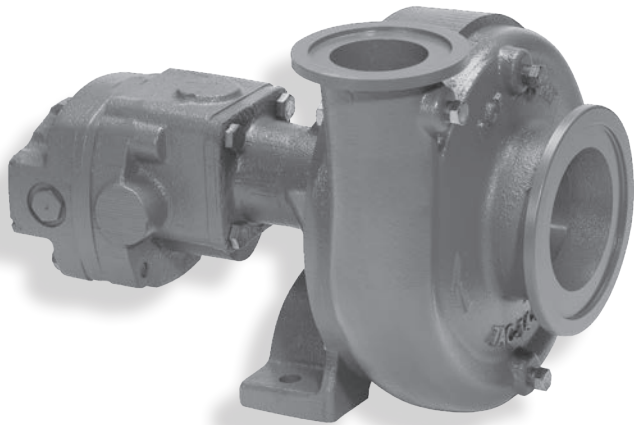




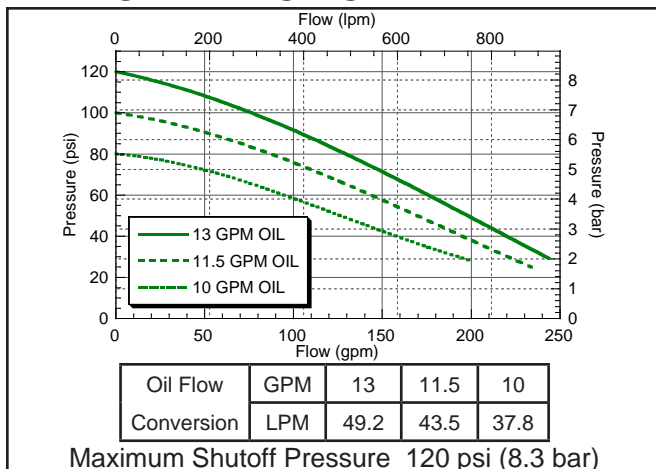
# High Capacity Hydraulic Driven Centrifugal Pump



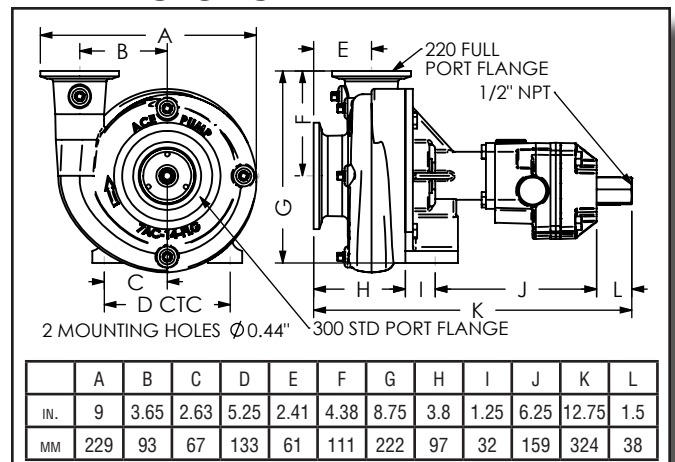
## FMC-200F-HYD-304

- Suction 300 Series Flange
- Discharge 220 Series Flange
- Recommended for use on the following Hydraulic Systems:
  - ✓ Pressure Compensating Closed Center
  - ✓ Load Sensing or Pressure Flow Compensating Closed Center
  - ✓ Open Center from 10 to 20 GPM (38 to 75 LPM) -Integral Needle Valve bypasses up to 9 GPM (34 LPM) Open Center Systems
- High Efficiency Gear Motor - 13 GPM (49 LPM) Maximum Flow
- Standard Viton® Carbon/Ceramic seal or Optional Severe Duty Silicon Carbide Mechanical Seal
- Chemical Resistant Valox® or Optional Cast Iron Impeller
- Stainless Steel Shaft and Wear Ring

## PERFORMANCE CHART



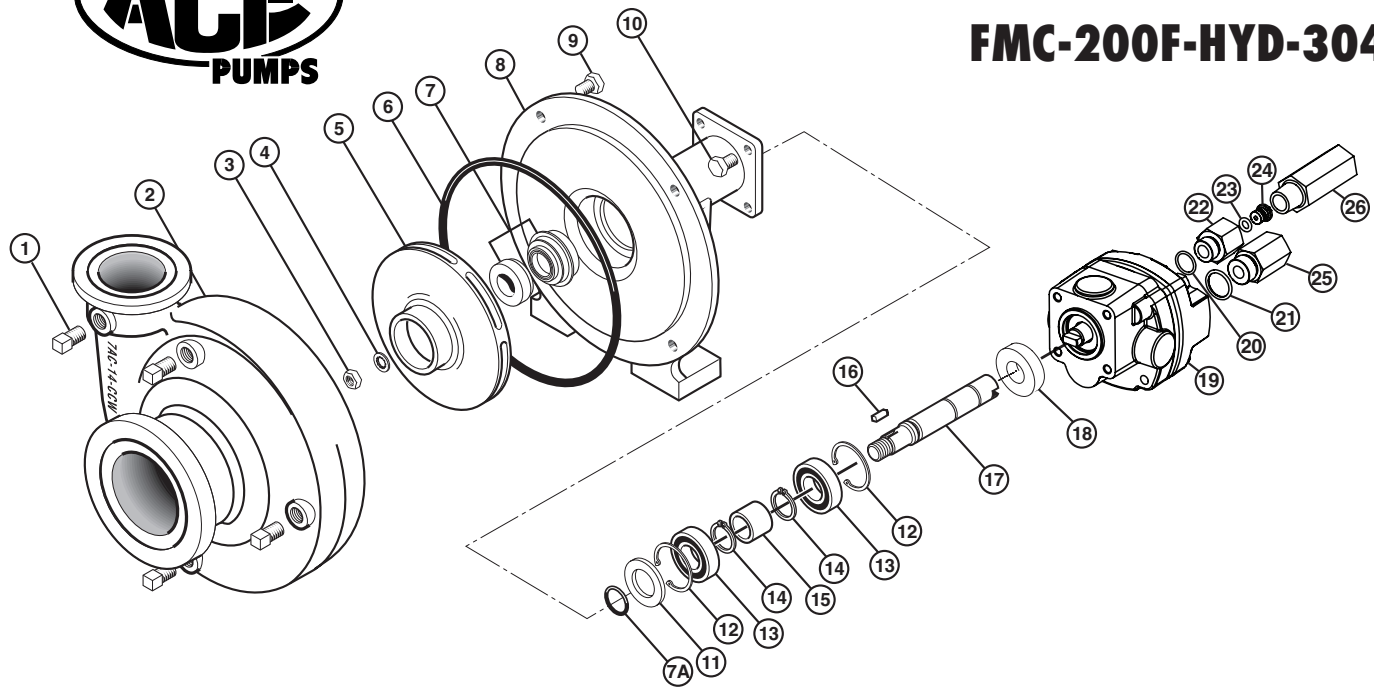
## DIMENSIONS



Valox® is a registered trademark of GE Plastics.  
 Viton® is a registered trademark of DuPont Dow Elastomers.



# FMC-200F-HYD-304



REF. #	PART NUMBER	EDP #	DESCRIPTION	REQ.
1	BAC-53	41110	Pipe plug	4
1	41120	41120	Pipe plug, stainless steel (optional)	4
2	7AC-14-FLG	41530	Volute, 300 standard flange x 220 full port flange	1
3	BAC-23-A	40391	Nut, 3/8" NF, cad plated	1
3	BAC-23-B-SS	40393	Nut, 3/8" NF, SS (optional)	1
4 <sup>①②</sup>	BAC-24-HYD-SS	40400	Washer, 3/8" star, stainless steel	1
4	BAC-24-B-SS	42702	Washer, 3/8" SS, vibration proof (optional)	1
5	BAC-26-200-P	40434	Impeller, with extended keyway, thermoplastic	1
5	BAC-26-200-CI	40433	Impeller,with extended keyway, cast iron (optional)	1
5	BAC-26-200-SS	40436	Impeller,with extended keyway, 316 stainless steel (optional)	1
6 <sup>①②</sup>	BAC-4A	40005	O-ring, body seal	1
7 <sup>①</sup>	BAC-7V	40151	Seal, mechanical, Viton (includes 40160 "O" Ring)	1
7 <sup>②</sup>	BAC-7SC	40152	Seal, mechanical, silicon carbide (includes 40160 "O" Ring) (optional)	1
7A <sup>①②</sup>	40160	40160	O-ring, shaft seal	1
8	BAC-14-HYD-300A	40314	Mounting frame (for 300 Series hydraulic motor)	1
9	40950	40950	Cap screw, 3/8" NC x 3/4" hex head	4
9	40930	40930	Cap screw, 3/8" NC x 3/4" hex head, stainless steel (optional)	4
10	41330	41330	Cap screw, 5/16" N. C. x 3/4" hex head, motor to pump	4
11	BAC-54	41130	Slinger	1
12	BAC-33	40810	Snap ring, internal, BAC-14 mounting frame	2
13	BAC-37	40870	Ball Bearing, sealed, BAC-6 shaft	2
14	BAC-32	40790	Snap ring, external, BAC-6 shaft	2
15	BAC-32-S	40795	Spacer for BAC-6 shaft	1
16	BAC-25	40425	Key, 1/8" x 1/8" x 13/16", extended keyway	1
17	BAC-6-HYD-200-SS	40063	Shaft, extended keyway, tang, stainless steel	1
18	S300	40162	Seal support spacer for 300 Series HYD motor, effective 6/00	1
19	BAC-75-HYD-304N	41343	Hydraulic motor, 11 GPM, effective 5/13	1
19	BAC-75-HYD-304A-12SAE	41426	Hydraulic motor, 11 GPM, #12 SAE end ports (optional)	1
20	41875	41875	O-ring, #8 SAE fitting	1
21	41445	41445	O-ring, #10 SAE fitting	1
22	BAC-80-8SAE	41455	Body, restrictor orifice, #8SAE x 1/2" NPT	1
23	41448	41448	O-ring, orifice insert	1
24	BAC-79-8	41447	Orifice insert, restrictor insert, 0.125	1
25	41442	41442	Reverse check assembly, #10 SAE x 1/2" NPT	1
26	LS-304N	41429	Flow limiter (optional)	1
①	RK-FMC	52700	Repair kit for FMC series pump	-
②	RK-FMCSC	52706	Repair kit for FMC series pump with silicon carbide shaft seal	-
#	RK-BAC-75-HYD-300-L	41362	Repair kit for 300 Series -L motor	-