

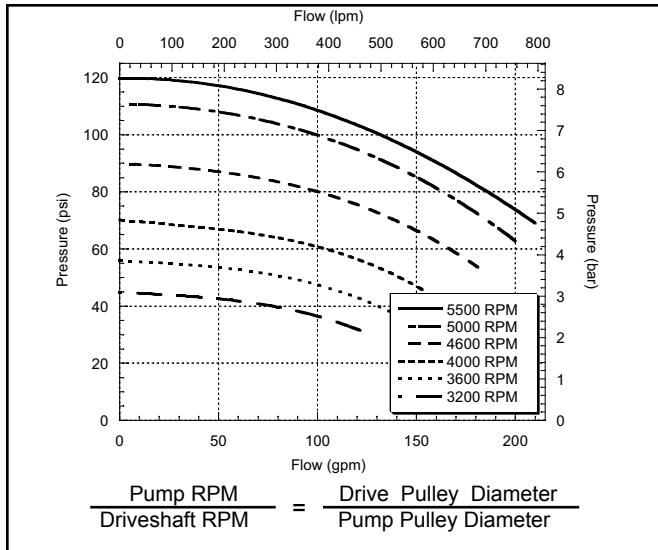
# Stainless Steel Magnetic Clutch Driven Centrifugal Pump

## FMC-200SS-MAG-DX

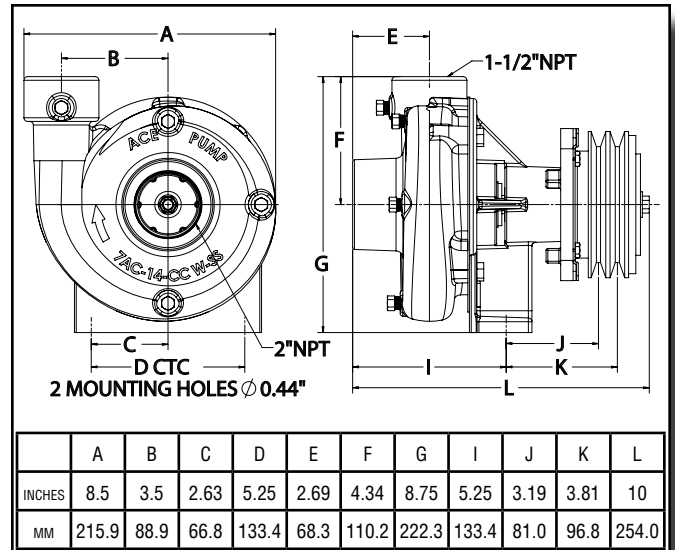
- Suction 2" Discharge 1-1/2"
- Counterclockwise Rotation when Facing Pulley End
- 316 Stainless Steel Wet End including Volute, Impeller, and Frame Liner
- Standard Viton® Carbon/Ceramic seal or Optional Severe Duty Silicon Carbide Mechanical Seal
- Heavy Duty 12 Volt DC Magnetic Clutch Transmits up to 44 HP at 4000 RPM
- 5" Solid Steel Dual Belt Drive Pulley for Single or Double Belt Drives



### PERFORMANCE CHART



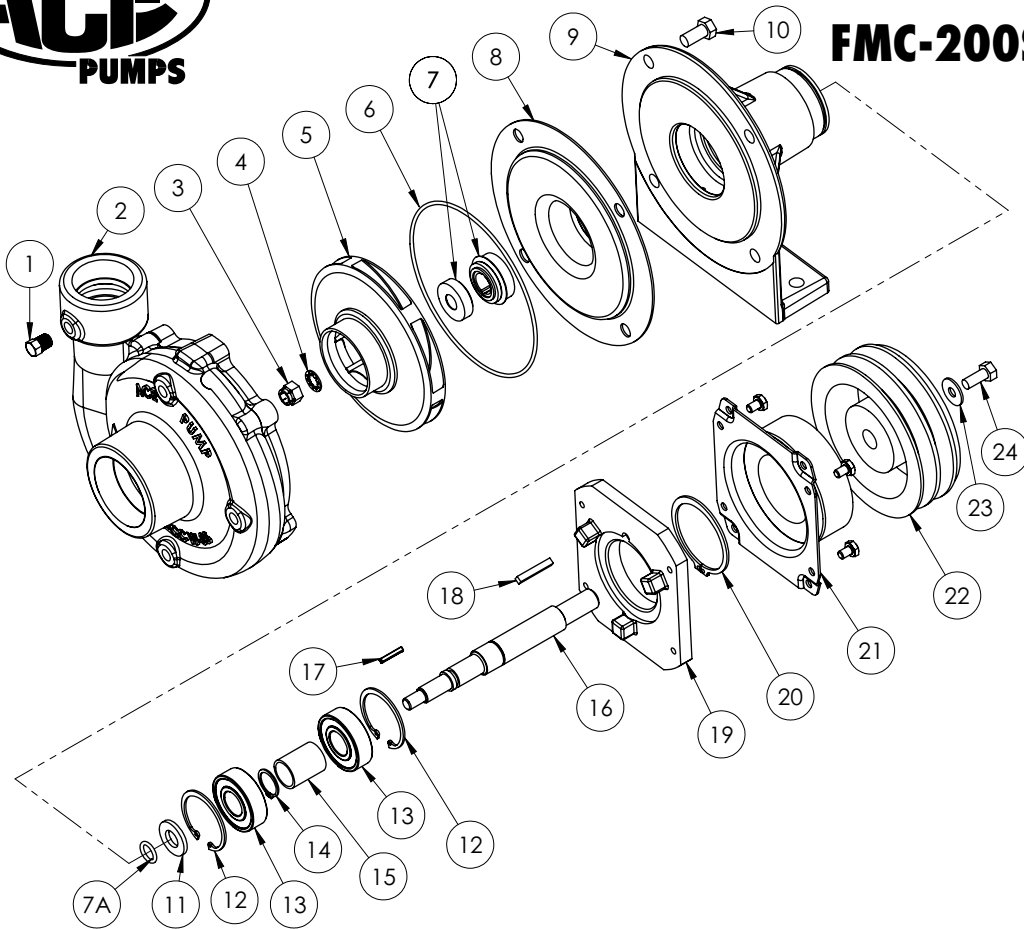
### DIMENSIONS



Viton® is a registered trademark of DuPont Dow Elastomers.



# FMC-200SS-MAG-DX



REF. #	PART	EDP #	DESCRIPTION	REQ.
1	41120	41120	Pipe plug, 1/8" NPT, stainless steel	4
2	7AC-14-CCW-SS	41531	Volute, 2" x 1-1/2", stainless steel	1
3	BAC-23-A-SS	40392	Nut, 3/8" NF, stainless steel	1
4	BAC-24-HYD-SS	40400	Washer, 3/8", stainless steel	1
5	BAC-26-200-SS	40436	Impeller, with extended keyway, stainless steel	1
6 <sup>①②</sup>	BAC-4A	40005	"O" Ring, BAC-12 volute seal	1
7 <sup>①</sup>	BAC-7V	40151	Seal, Viton mechanical seal (includes 40160 "O" Ring)	1
7 <sup>②</sup>	BAC-7SC	40152	Seal, Silicon carbide mechanical seal (includes 40160 "O"Ring) (optional)	1
7A <sup>①②</sup>	40160	40160	"O" Ring, BAC-6X shaft	1
8	BAC-14-LIN	40336	Liner; mounting frame, stainless steel	1
9	BAC-14X-MIA-LIN	40296	Mounting frame, -X series, machined for idler arm, (machined for liner)	1
10	40930	40930	Cap screw, 3/8" NC x 3/4" Hex head, stainless steel	4
11	BAC-54	41130	Slinger	1
12	BAC-33X	40812	Snap ring, internal, BAC-14X mounting frame	2
13	BAC-37X	40872	Bearing, BAC-6X driven shaft	2
14	BAC-32X	40792	Snap ring, external, BAC-6X driven shaft	1
15	BAC-32X-S	40796	Spacer for BAC-6X shaft	1
17	BAC-25	40425	Key, 1/8" x 1/8" x 13/16", with keyway	1
16	BAC-6X-200-D-SS	40059	Shaft, heavy duty, -X series driven shaft with keyway	1
18	BAC-50	41080	Key, 3/16" x 3/16" x 1-1/4"	1
19	41473	41473	Adapter plate, -X series, -D clutch	1
20	BAC-36X	40855	Snap ring, external	1
21	41496	41496	Coil ring with 4 cap screws, -D clutch, 12 volt DC activated	1
22	41497	41497	Pulley assembly, 5" diameter, -D clutch	1
23	41494	41494	Washer, -D clutch attachment	1
24	GE-60	42230	Cap Screw, 5/16" NF x 3/4", -D clutch attachment	1
①	RK-FMC	52700	Repair kit for FMC series	-
②	RK-FMCSC	52706	Repair kit for FMC series with silicon carbide seal	-
#	41493	41493	Magnetic Clutch assembly, includes 41496 and 41497	-