



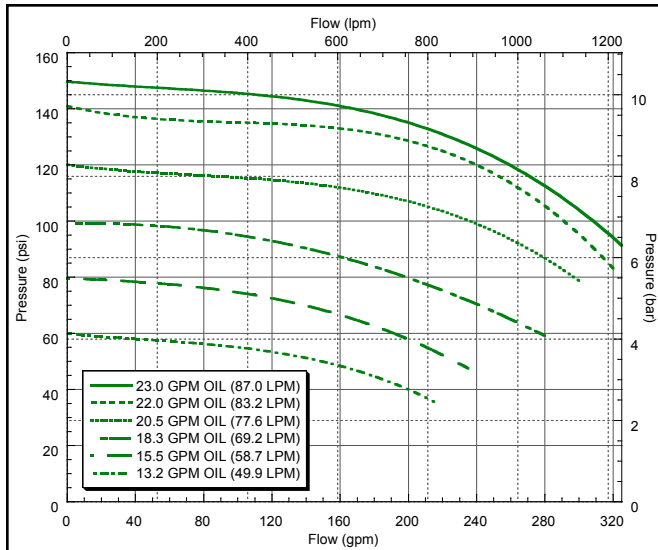
# High Performance Oasis™ Wet Seal Centrifugal Pump



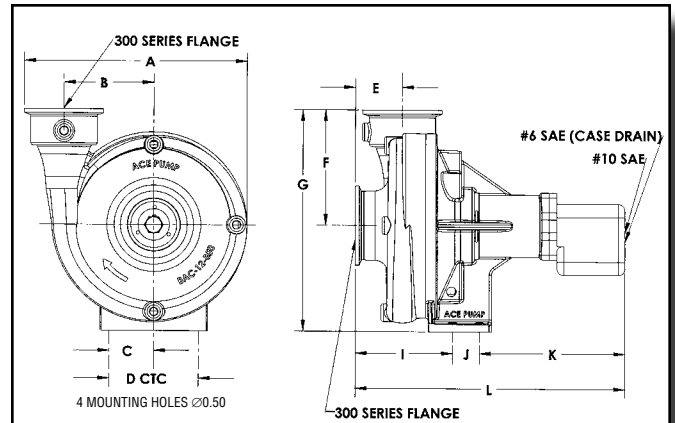
## FMC-850F-HYD

- Suction and Discharge - 300 Series Flange for Maximum Flow
- High Performance Pump
  - Maximum Flow 325 GPM (1230 LPM)
  - Maximum Pressure 150 PSI (10.3 BAR)
- WetSeal Technology
  - Prevents Run Dry Failures
  - Isolates Seals from Chemicals and Fertilizers
- Maximum Reliability
  - Operates at Lower RPM
  - Oversized Bearings
  - High Efficiency 4000 PSI (275 BAR) Pressure Plated Gear Motor
  - E-coat Corrosion Protection
- 2 Year Warranty

## PERFORMANCE CHART



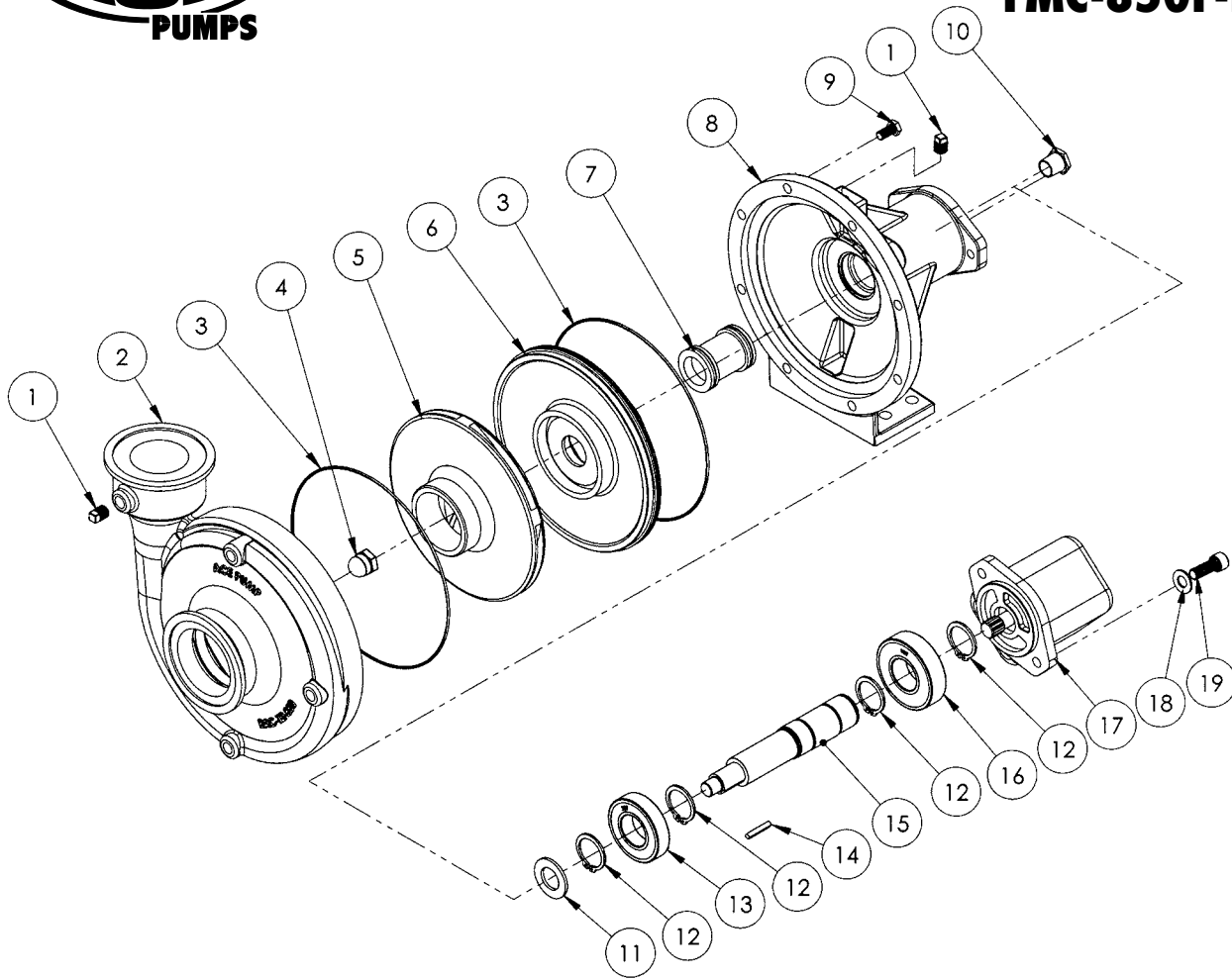
## DIMENSIONS



	A	B	C	D	E	F	G	I	J	K	L
INCHES	12.50	4.75	2.25	4.50	2.75	6.50	12.50	5.50	1.50	9.38	16.25
MM	317.5	120.7	57.2	114.3	69.9	165.1	317.5	139.7	38.1	238.1	412.8



# FMC-850F-HYD



REF. #	PART NUMBER	EDP #	DESCRIPTION	REQ.
1	20750	20750	Pipe plug, 1/4" NPT, volute & seal reservoir fill/drain	6
2	BAC-12-850	30164	Volute, 300 X 300 flange, cast iron, e-coated	1
3 <sup>①</sup>	40018	40018	O-ring, volute seal	2
4	40397	40397	Nut, acorn, 5/8"-11	1
5	BAC-26-850-CI	30184	Impeller, cast iron, e-coated	1
6	BAC-16-850	45265	Seal plate, cast iron, e-coated	1
7 <sup>①</sup>	BAC-7-850V	40148	Dual seal assembly, Type 21, 1.25" shaft	1
8	BAC-14-850-HYD	40318	Mounting frame, cast iron, e-coated	1
9	40950	40950	Cap screw, 3/8" NC x 3/4" hex head	8
10	55850	55850	Sight gauge, brass, 1/2" NPT	1
11	GE-54	42220	Slinger	1
12	41945	41945	Snap ring, external, for BAC-6-850-HYD-SS shaft	4
13	40876	40876	Ball bearing, front, for BAC-6-850-HYD-SS shaft	1
14	BAC-50	41080	Key, 3/16" x 3/16" x 1-1/4", impeller	1
15	BAC-6-850-HYD-SS	40065	Shaft, female 11T spline, stainless steel	1
16	40877	40877	Ball bearing, rear, for BAC-6-850-HYD-SS shaft	1
17	BAC-75-HYD-M30	41357	Hydraulic motor, pressure plated gear type, 23 GPM, case drain	1
18	42701	42701	Washer, 3/8"	2
19	41907	41907	Cap screw, 3/8" NC x 1" socket head	2
20 <sup>①</sup>	55032	55032	Barrier fluid, quart	0.75
①	RK-FMC-850	52725	Repair kit, includes items 3(2 pcs.), 7, and 20 (1 quart)	-