



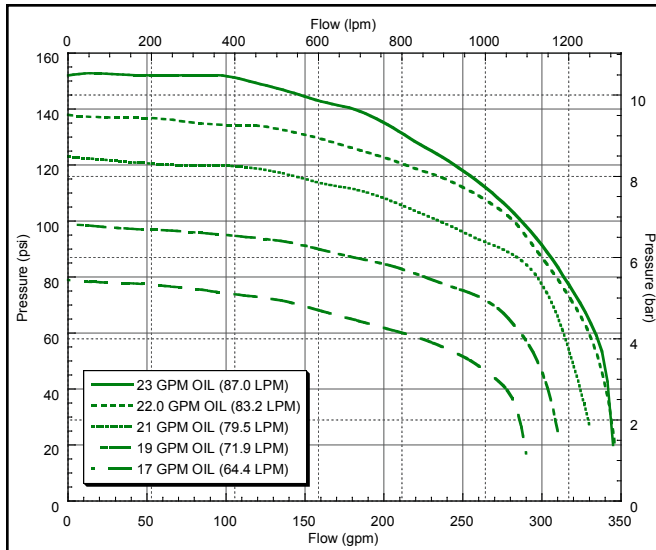
High Performance OASISTM Wet Seal Centrifugal Pump



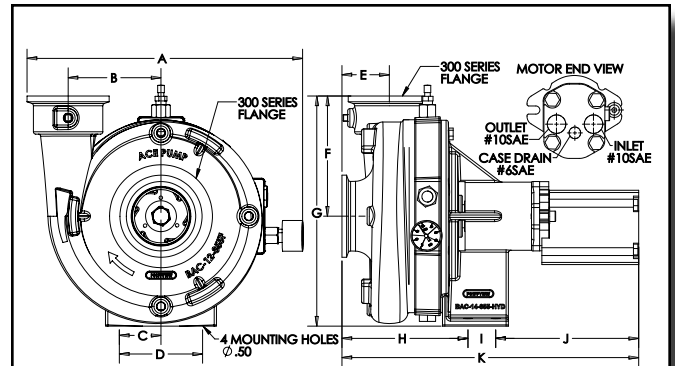
FMC-855F-HYD

- Suction and Discharge - 300 Series Flange for Maximum Flow
- High Performance Pump
 - Maximum Flow 345 GPM (1306 LPM)
 - Maximum Pressure 150 PSI (10.3 BAR)
- WetSeal Technology
 - Prevents Run Dry Failures
 - Isolates Seals from Chemicals and Fertilizers
- Maximum Reliability
 - Operates at Lower RPM
 - Oversized Bearings
 - High Efficiency Pressure Plated Gear Motor with Case Drain port
 - E-coat Corrosion Protection

PERFORMANCE CHART



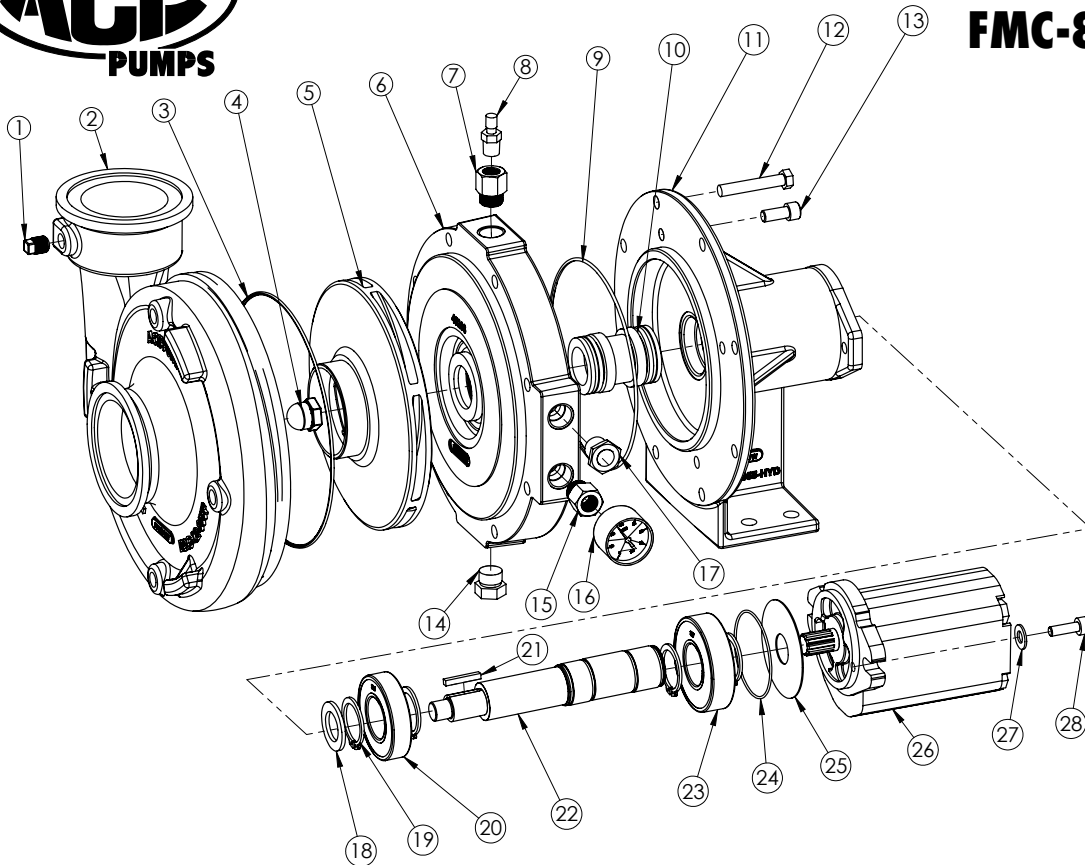
DIMENSIONS



	A	B	C	D	E	F	G	H	I	J	K
INCHES	13.42	5.02	2.25	4.50	2.56	6.50	12.44	6.81	1.50	7.73	16.04
MM	340.9	127.5	57.2	114.3	65.0	165.1	316.0	172.9	38.1	196.3	407.3



FMC-855F-HYD



REF. #	PART NUMBER	EDP #	DESCRIPTION	REQ.
1	20750	20750	Pipe plug, 1/4" NPT	4
2	BAC-12-855F	30154	Volute, 300 X 300 flange, cast iron, e-coated	1
3 ^①	40018	40018	O-ring, volute seal	1
4	40397	40397	Nut, acorn, 5/8"-11, stainless steel	1
5	BAC-26-855-CI	30198	Impeller, cast iron, e-coated	1
6	BAC-16-855	45263	Seal plate, cast iron, e-coated	1
7	41107	41107	Bushing, #8 SAE x 1/4" FNPT, with o-ring	1
8	41316	41316	Air valve, 1/4" NPT	1
9 ^①	BAC-4-150	40015	O-ring; seal plate to frame	1
10 ^①	BAC-7-850V	40148	Seal assembly, 1-1/4" type 21 double, carbon/ceramic/Viton®	1
11	BAC-14-855-HYD	40294	Mounting frame, cast iron, e-coated	1
12	40953	40953	Cap screw, 3/8" NC x 2-1/4" hex head	8
13	41908	41908	Cap screw, seal plate, 3/8" NC x 3/4" socket head, stainless steel	4
14	41108	41108	Plug, #8 SAE, hex head	1
15	44039	44039	Bushing, #8 SAE x 1/8" FNPT, with o-ring	1
16	50150	50150	Pressure gauge, 0-60 PSI, 1/8" NPT	1
17	55851	55851	Sight gauge	1
18	GE-54	42220	Slinger	1
19	41945	41945	Snap ring, external	4
20	40876	40876	Bearing, front	1
21	41085	41085	Key, 3/16" x 3/16" x 7/8", impeller	1
22	BAC-6-850-HYD-SS	40065	Shaft, female 11T spline, stainless steel	1
23	40877	40877	Bearing, rear	1
24	43419	43419	O-ring, flange, M Series motor (effective 6/15)	1
25	43414	43414	Pad, absorbent, M Series motor (effective 6/15)	1
26	BAC-75-HYD-M30	41357	Hydraulic motor, pressure plated gear type, case drain	1
27	42701	42701	Washer, 3/8", stainless steel	2
28	41907	41907	Cap screw, motor, 3/8" NC x 1" socket head	2
*29 ^①	55032	55032	Barrier fluid, quart	2
①	RK-FMC-855	52726	Repair kit, includes item 3, 9, 10, and 55032 (2 quarts)	-

* - not shown in parts diagram