



Heavy Duty Magnetic Clutch Driven Centrifugal Pump



FMC-CW-MAG-D

- Suction 1-1/4" - Discharge 1"
- Clockwise Rotation when Facing Shaft End
- Chemical Resistant Valox® or Optional Cast Iron Impeller
- Stainless Steel Shaft and Wear Ring
- Standard Viton® Carbon/Ceramic seal or Optional Severe Duty Silicon Carbide Mechanical Seal
- Heavy Duty DC 12 Volt Magnetic Clutch Transmits up to 44 HP at 4000 RPM
- 5" Solid Steel Dual Belt Drive Pulley for Single or Double Belt Drives

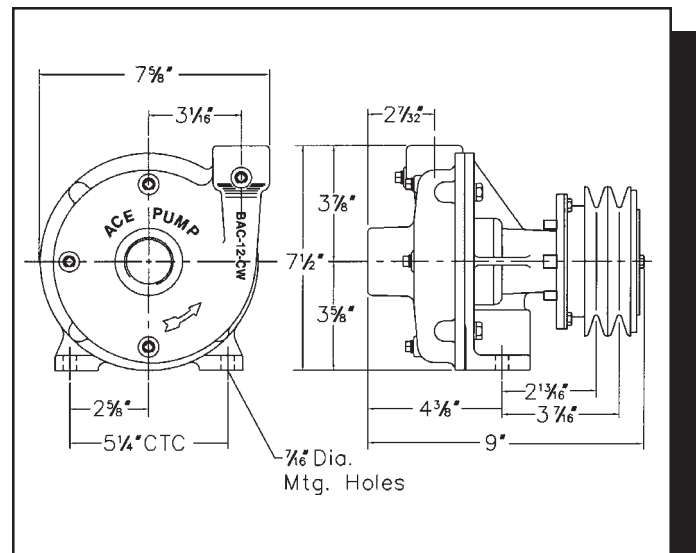
Valox® is a registered trademark of GE Plastics.
Viton® is a registered trademark of DuPont Dow Elastomers.

PERFORMANCE CHART

PUMP SHAFT RPM	20	40	60	80	100	120	MAX HP
	PSI	PSI	PSI	PSI	PSI	PSI	
	GPM	GPM	GPM	GPM	GPM	GPM	
3200	55	30	-	-	-	-	1.0
3800	63	50	20	-	-	-	1.7
4400	75	63	60	38	-	-	3.0
5200	75	70	65	61	50	15	4.2

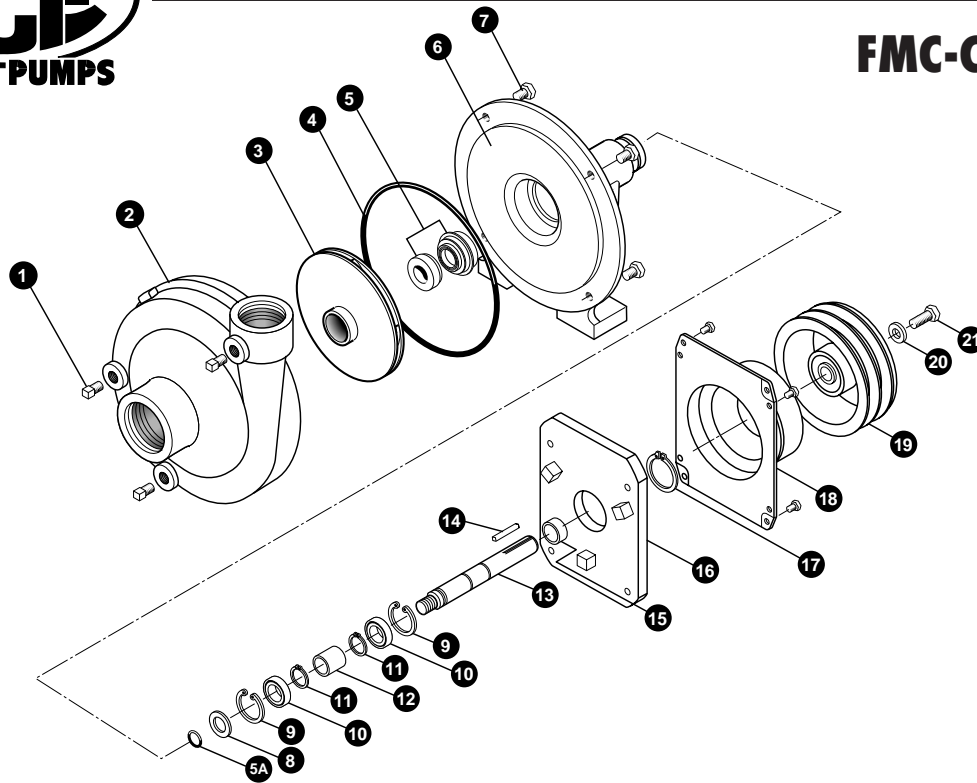
$$\frac{\text{Pump RPM}}{\text{Driveshaft RPM}} = \frac{\text{Drive Pulley Diameter}}{\text{Pump Pulley Diameter}}$$

DIMENSIONS





FMC-CW-MAG-D



REF. #	PART #	EDP #	DESCRIPTION	REQ.
1	BAC-53	41110	Pipe plug, 1/8" NPT	3
1	41120	41120	Pipe plug, 1/8" NPT, stainless steel (optional)	3
2	BAC-12-CW	40253	Volute, 1-1/4" x 1", cast iron	1
3	BAC-26-CW-150-P	41510	Impeller, Valox, right hand fine thread	1
3	BAC-26-CW-150-CI	41515	Impeller, cast iron, right hand fine thread (optional)	1
*4	BAC-4A	40005	"O" Ring for BAC-12 volute seal	1
*5	BAC-7V	40151	Seal, Viton mechanical seal (includes 40160 "O" ring)	1
5	BAC-7SC	40152	Seal, Silicon carbide mechanical seal (includes 40160 "O" Ring)(optional)	1
5A	40160	40160	"O" Ring for BAC-6 shaft	1
6	BAC-14-MIA	40290	Mounting frame, machined for idler arm	1
7	40930	40930	Cap screw, 3/8" NC x 3/4" Hex head, stainless steel (optional)	4
7	40950	40950	Cap screw, 3/8" NC x 3/4" Hex head	4
8	BAC-54	41130	Slinger	1
9	BAC-33	40810	Snap ring, internal, BAC-14 mounting frame	2
10	BAC-37	40870	Bearing, BAC-6 driven shaft	2
11	BAC-32	40790	Snap ring, external, BAC-6 driven shaft	2
12	BAC-32-S	40795	Spacer for BAC-6 shaft	1
13	BAC-6-CW-D-SS	41500	Shaft, 5/8" driven, -D clutch, right hand NF thread, stainless steel	1
14	BAC-50	41080	Key, 3/16" x 3/16" x 1-1/4"	1
15	41492	41492	Spacer, -D clutch	1
16	41491	41491	Adapter plate, -D clutch	1
17	BAC-36	40850	Snap ring, external, BAC-13 idler arm	1
18	41496	41496	Coil ring with 4 cap screws, - D clutch, 12 volt, DC activated	1
19	41497	41497	5" Pulley assy., -D clutch	1
20	41494	41494	Washer, -D clutch attachment	1
21	GE-60	42230	Cap Screw, 5/16" NF x 3/4", -D clutch attachment	1
#	RK-FMC	52700	Repair kit for FMC series	-
#	41493	41493	Magnetic Clutch assembly, includes 41492, 41496, and 41497	-

* Items included in pump repair kit.

Ace Pump Corporation • P.O. Box 13187 - 1650 Channel Avenue • Memphis, TN 38113
www.AcePumps.com • Phone: 901-948-8514 • Fax: 901-774-6147

ACE Form # FMC-CW-MAG-D
 Revised 04/04