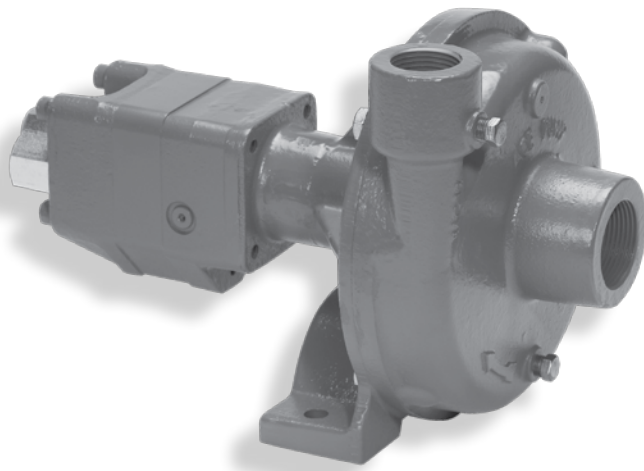




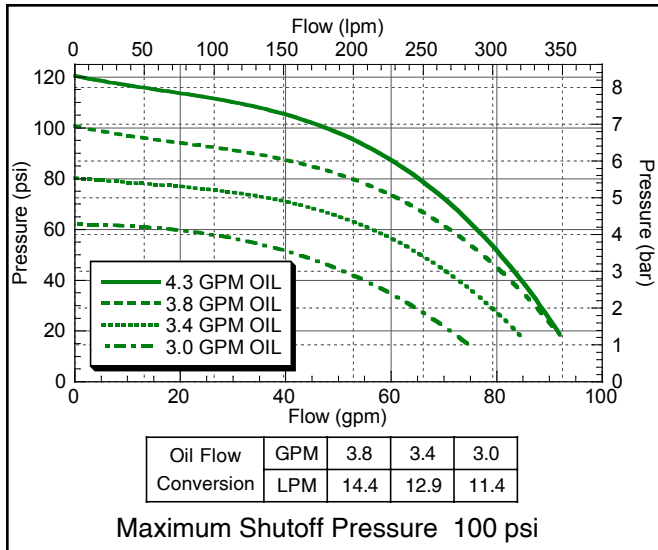
Hydraulic Motor Driven Centrifugal Pump



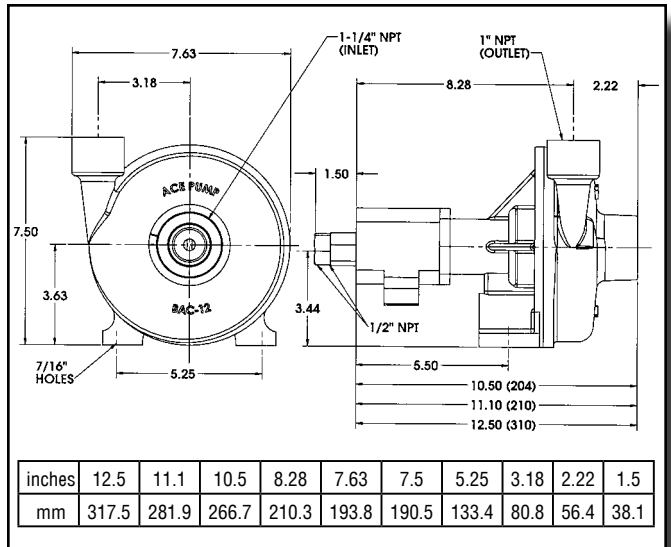
FMC-HYD

- Suction 1-1/4" Discharge 1"
 - 204** motor requires 4 GPM (15.1 LPM) hydraulic flow on PC Closed and Open Center Systems
 - 210** motor requires 10 GPM (37.9 LPM) hydraulic flow on LS Closed and Open Center Systems
 - 310** motor requires 16 GPM (60.6 LPM) hydraulic flow on Large Open Center Systems
- Integral Needle Valve bypasses up to 9 GPM (34 LPM) on Open Center Systems
- Standard Viton® Carbon/Ceramic seal or Optional Severe Duty Silicon Carbide Mechanical Seal
- Chemical Resistant Valox® or Optional Cast Iron Impeller
- Stainless Steel Shaft and Wear Ring

PERFORMANCE CHART



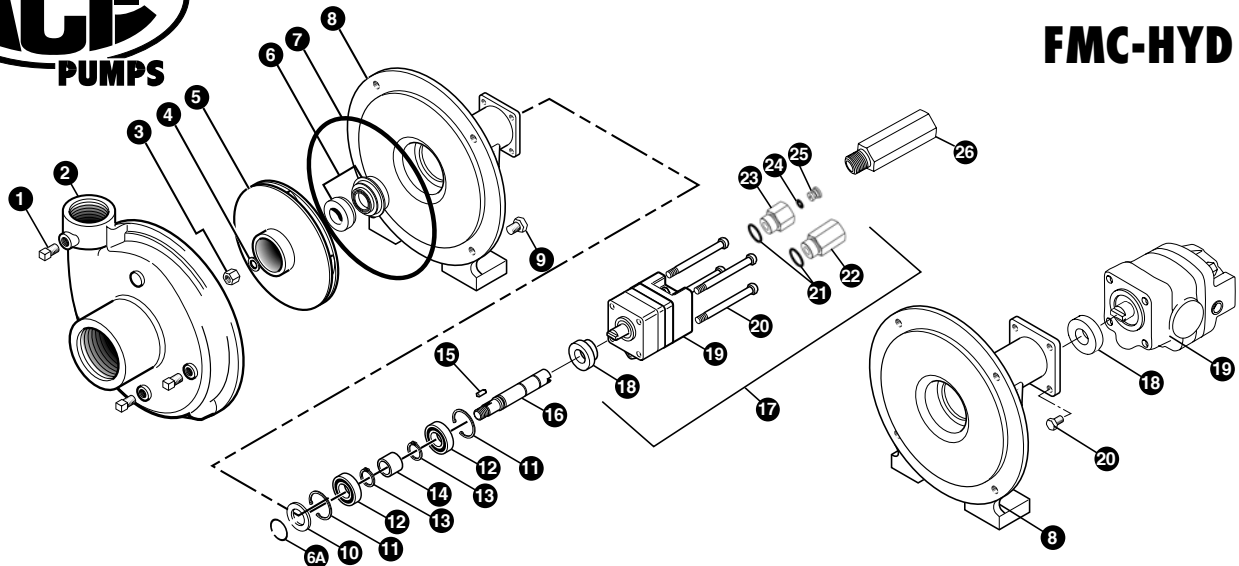
DIMENSIONS



Valox® is a registered trademark of GE Plastics.
 Viton® is a registered trademark of DuPont Dow Elastomers.



FMC-HYD



REF. #	PART NUMBER	EDP #	DESCRIPTION	REQ.
1	BAC-53	41110	Pipe plug	4
1	41120	41120	Pipe plug, stainless steel (optional)	4
2	BAC-12	40250	Volute, 1-1/4" x 1", cast iron	1
3	BAC-23-A	40391	Nut, 3/8" NF, cad plated	1
3	BAC-23-A-SS	40392	Nut, 3/8" NF, stainless steel (optional)	1
4①②	BAC-24-HYD-SS	40400	Washer, 3/8" star, stainless steel	1
5	BAC-26-HYD-VALOX	40440	Impeller, Valox, keyway	1
5	BAC-26-HYD-CI	40442	Impeller, cast iron, keyway (optional)	1
6①	BAC-7V	40151	Seal, carbon/ceramic/Viton (includes 40160 O-Ring)	1
6②	BAC-7SC	40152	Seal, silicon carbide/Viton (includes 40160 O-Ring) (optional)	1
6A①②	40160	40160	O-ring, shaft seal	1
7①②	BAC-4A	40005	O-ring, body seal	1
8	BAC-14-HYD	40300	Mounting frame, cast iron (for 200 Series hydraulic motor)	1
8	BAC-14-HYD-300A	40314	Mounting frame, cast iron (for 300A Series hydraulic motor)	1
9	40950	40950	Cap screw, 3/8" NC x 3/4" hex head	4
9	40930	40930	Cap screw, 3/8" NC x 3/8" hex head, stainless steel (optional)	4
10	BAC-54	41130	Slinger	1
11	BAC-33	40810	Snap ring, internal, BAC-14 mounting frame	2
12	BAC-37	40870	Ball Bearing, sealed, BAC-6 shaft	2
13	BAC-32	40790	Snap ring, external, BAC-6 shaft	2
14	BAC-32-S	40795	Spacer for BAC-6 shaft	1
15	BACH-25	40420	Key, 1/8" x 1/8" x 1/2"	1
16	BAC-6-HYD-SS	40061	Shaft, 5/8" diameter, keyway and tang slot, stainless steel	1
17	BAC-75-HYD-204	41370	Hydraulic motor, 4 GPM (includes parts 18 - 25)	1
17	BAC-75-HYD-210	41375	Hydraulic motor, 10 GPM (includes parts 18 - 25)	1
18	S200	40161	Seal support spacer for 200 Series HYD motor	1
18	S300	40162	Seal support spacer for 300 Series HYD motor	1
19	BAC-75-HYD-204N	41433	Hydraulic motor, 4 GPM (motor only - no external fittings)	1
19	BAC-75-HYD-210N	41434	Hydraulic motor, 10 GPM (motor only - no external fittings)	1
19	BAC-75-HYD-310	41378	Hydraulic motor, 16 GPM (310A motor effective March 2006)	1
20	41253	41253	Cap screw, 5/16" N. C. x 3-1/2" socket head (for 204N motor)	4
20	41254	41254	Cap screw, 5/16" N. C. x 4" socket head (for 210N motor)	4
20	41330	41330	Cap screw, 5/16" N. C. x 3/4" hex head (for 310 motor)	4
21	41875	41875	O-ring, #8 SAE fitting	2
22	BAC-78-8SAE	41441	Reverse check valve, #8 SAE male x 1/2" NPT female	1
23	BAC-80-8SAE	41455	Adapter, restrictor body, #8 SAE male x 1/2" NPT female	1
24	41448	41448	O-ring, orifice insert	1
25	BAC-79-5	41457	Orifice, restrictor insert, .078 (204N)	1
25	BAC-79-7	41456	Orifice, restrictor insert, .109 (210N)	1
26	LS-204N	41417	Flow limiting valve (204N), #8 SAE male x 1/2" NPT female	1
26	LS-210N	41423	Flow limiting valve (210N), #8 SAE male x 1/2" NPT female	1
①	RK-FMC	52700	Repair kit for FMC series pump	-
②	RK-FMCS	52706	Repair kit for FMC series with silicon carbide shaft seal	-
#	RK-BAC-75-HYD-L	41374	Repair kit for 200 series motor with high pressure lip seal	-
#	RK-BAC-75-HYD-300-L	41362	Repair kit for 310 motor with high pressure lip seal	-