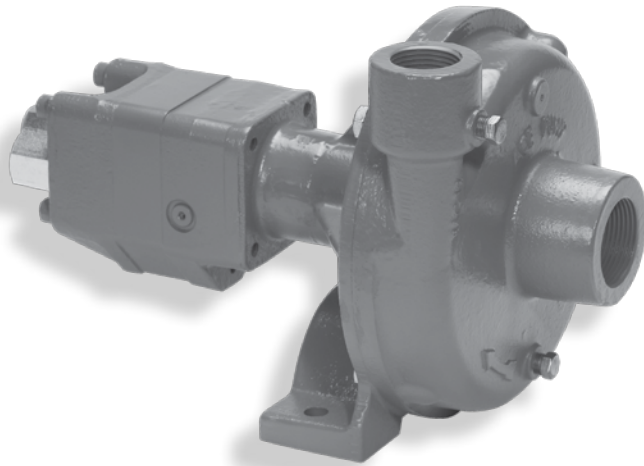




# Hydraulic Motor Driven Centrifugal Pump with Lip Seals



## FMCL-HYD-204

- Suction 1-1/4" NPT x Discharge 1" NPT
- Motor requires 4 GPM (15.1 LPM) hydraulic flow
- For use on LS Closed, PC Closed and Small Open Center Systems
- Integral Needle Valve bypasses up to 9 GPM (34 LPM) on Open Center Systems
- Grease lubricated FKM lip seals for hard to seal materials
- -T grease lubricated PTFE lip seals for severe duty applications
- Chemical Resistant Thermoplastic or Optional Cast Iron Impeller
- Stainless Steel Shaft and Wear Ring

### Why choose the Lip Seal System?

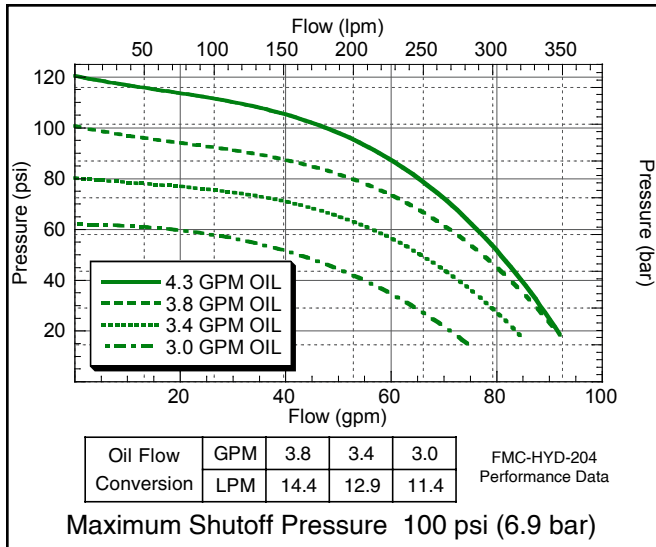
The Ace lip seal system uses two lip seals with a grease cavity between for hard to seal materials. These pumps are ideal for latex based and other materials which coat mechanical seal faces.

The standard FKM seals will seal most fluids.

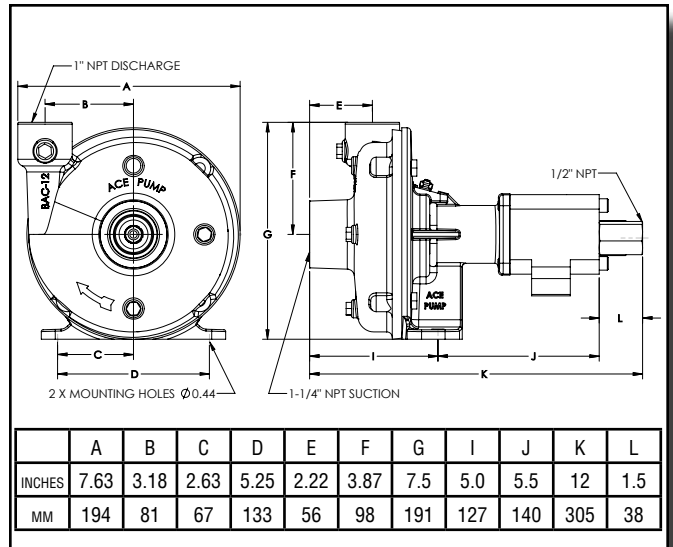
The optional PTFE (-T) seals withstand a variety of harsh chemicals and solvents.

Note: Lip seals should not be used with abrasive materials.

## PERFORMANCE CHART

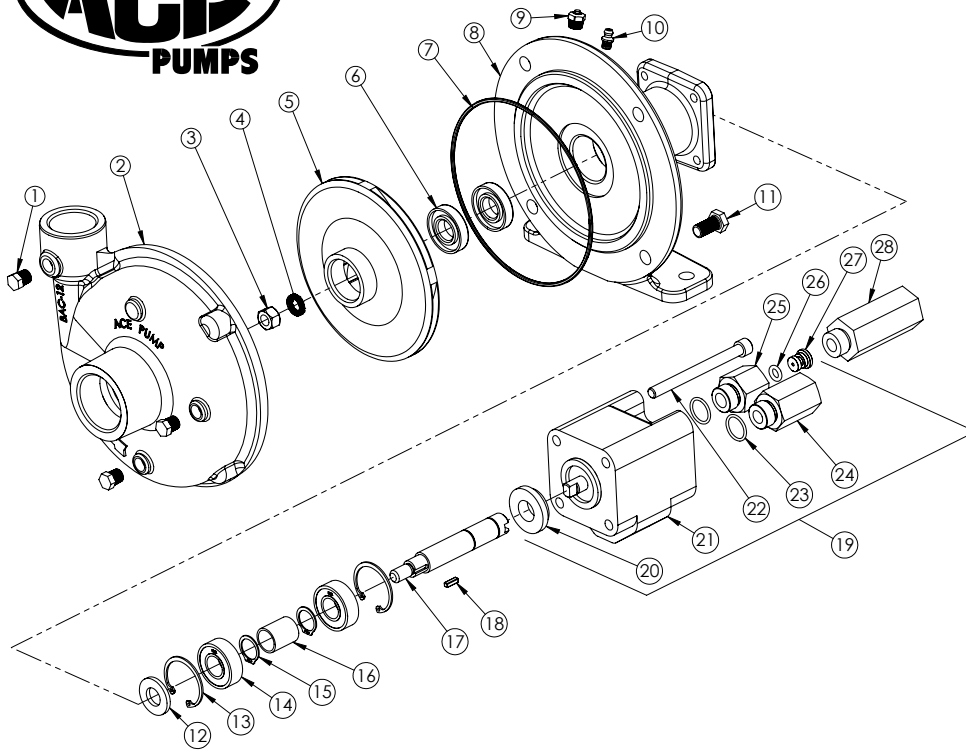


## DIMENSIONS





# FMCL-HYD-204



**Maintenance:**

Add grease to the seal chamber every 100 hours. Increase frequency to every 50 hours in dusty operating conditions.

**Directions:**

Use multipurpose lithium grease and fill cavity until grease escapes from vent.

REF. #	PART NUMBER	EDP #	DESCRIPTION	REQ.
1	BAC-53	41110	Pipe plug	4
2	BAC-12	40250	Volute, 1-1/4" x 1", cast iron	1
3	BAC-23-B-SS	40393	Nut, 3/8" NF hex, stainless steel	1
4	BAC-24-B-SS	42702	Washer, 3/8" vibration proof, stainless steel	1
5	BAC-26-HYD-VALOX	40440	Impeller, thermoplastic, keyway	1
5	BAC-26-HYD-CI	40442	Impeller, cast iron, keyway (optional)	1
6①	BACL-7V	40156	Seal, lip, FKM	2
6②	BAC-75-300-TLS	40154	Seal, double lip, PTFE (optional)	2
7①②	BAC-4A	40005	O-ring, body seal	1
8	BACL-14-HYD	40302	Mounting frame, lip seal, cast iron (for 200 Series motor)	1
9	BAC-70	41317	Fitting, 1/8" NPT relief	1
10	BAC-58	41190	Fitting, zerk, 1/4" drive-in, for seal lube	1
11	40950	40950	Cap screw, 3/8" NC x 3/4" hex head	4
12	BAC-54	41130	Slinger	1
13	BAC-33	40810	Snap ring, internal, BAC-14 mounting frame	2
14	BAC-37	40870	Ball Bearing, sealed, BAC-6 shaft	2
15	BAC-32	40790	Snap ring, external, BAC-6 shaft	2
16	BAC-32-S	40795	Spacer for BAC-6 shaft	1
17	BACL-6-HYD-SS	40062	Shaft, lip seal, 5/8" dia., keyway and tang slot, stainless steel	1
18	BACH-25	40420	Key, 1/8" x 1/8" x 7/16"	1
19	BAC-75-HYD-204	41370	Hydraulic motor, 4 GPM (includes parts 20 - 27)	1
20	S200	40161	Seal support spacer for 200 Series HYD motor	1
21	BAC-75-HYD-204N	41433	Hydraulic motor, 4 GPM (motor only - no external fittings)	1
22	41253	41253	Cap screw, 5/16" N. C. x 3-1/2" socket head (for 204N motor)	4
23	41875	41875	O-ring, #8 SAE fitting	2
24	BAC-78-8SAE	41441	Reverse check valve, #8 SAE male x 1/2" NPT female	1
25	BAC-80-8SAE	41455	Adapter, restrictor body, #8 SAE male x 1/2" NPT female	1
26	41448	41448	O-ring, orifice insert	1
27	BAC-79-5	41457	Orifice, restrictor insert, .078 (204N)	1
28	LS-204N	41417	Flow limiting valve (204N), #8SAE male x 1/2" NPT female (optional)	1
①	RK-FMCL	51900	Repair kit for FMCL series pump with FKM lip seals	-
②	RK-FMCL-T	51905	Repair kit for FMCL series with severe duty PTFE lip seals	-
#	RK-BAC-75-HYD-L	41374	Repair kit for 200 series motor with high pressure lip seal	-
#	NA	NA	Grease, multipurpose lithium based	0