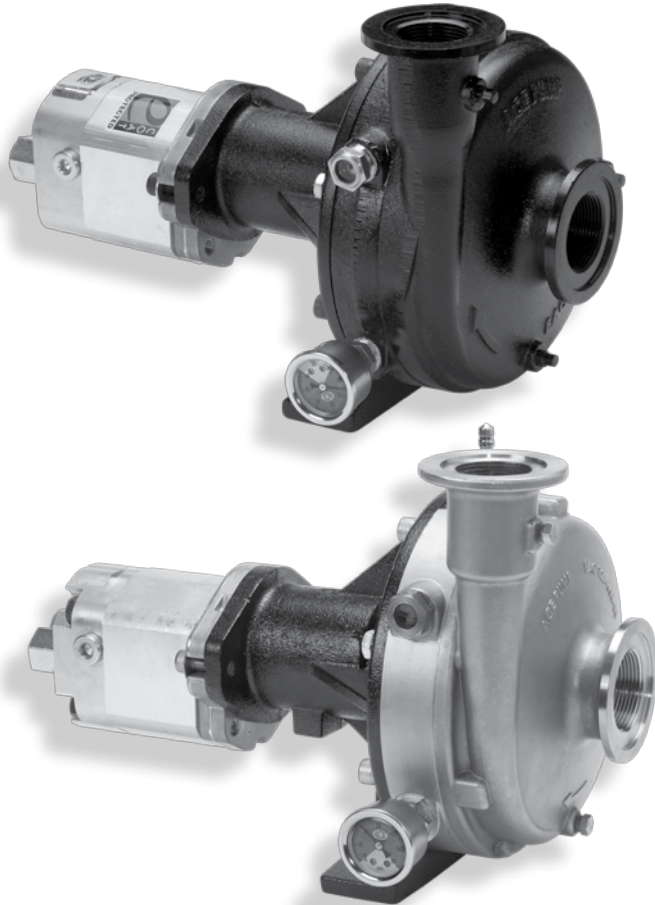




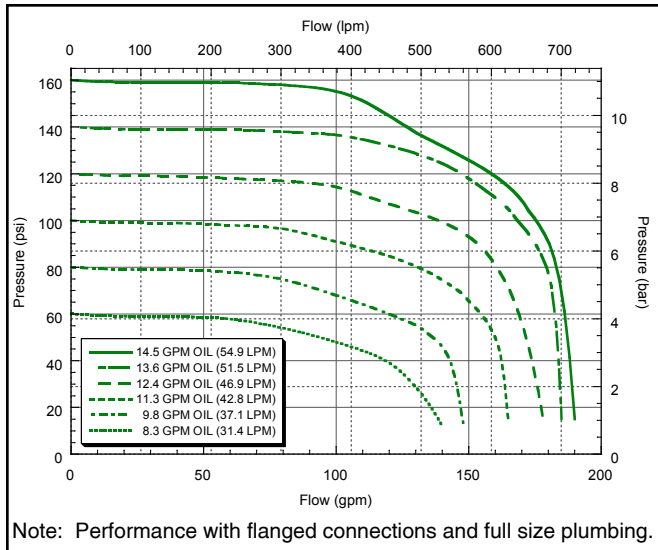
# High Performance OASIS<sup>TM</sup> Wet Seal Centrifugal Pump



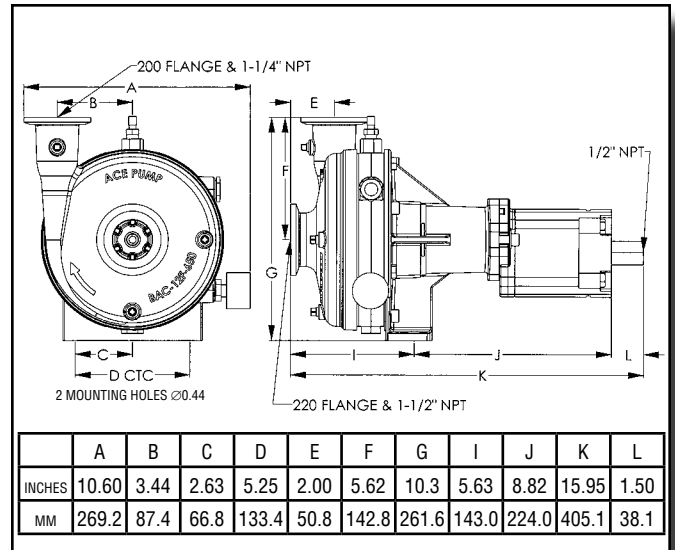
## FMCWS-650F-HYD FMCWS-650FS-HYD

- Suction 220 Flange & 1-1/2" NPT
- Discharge 200 Flange & 1-1/4" NPT
- High Performance Pump
  - Maximum Flow 170 GPM (644 LPM)
  - Maximum Pressure 160 PSI (11 BAR)
- WetSeal Technology
  - Prevents Run Dry Failure
  - Isolates Seals from Chemicals and Fertilizers
- Maximum Reliability
  - -FS Model - 316 Stainless Steel
  - Oversized Bearings
  - E-coat Corrosion Protection
  - High Efficiency 4000 PSI (275 BAR) Pressure Plated Gear Motor
  - Optional Case Drain

### PERFORMANCE CHART

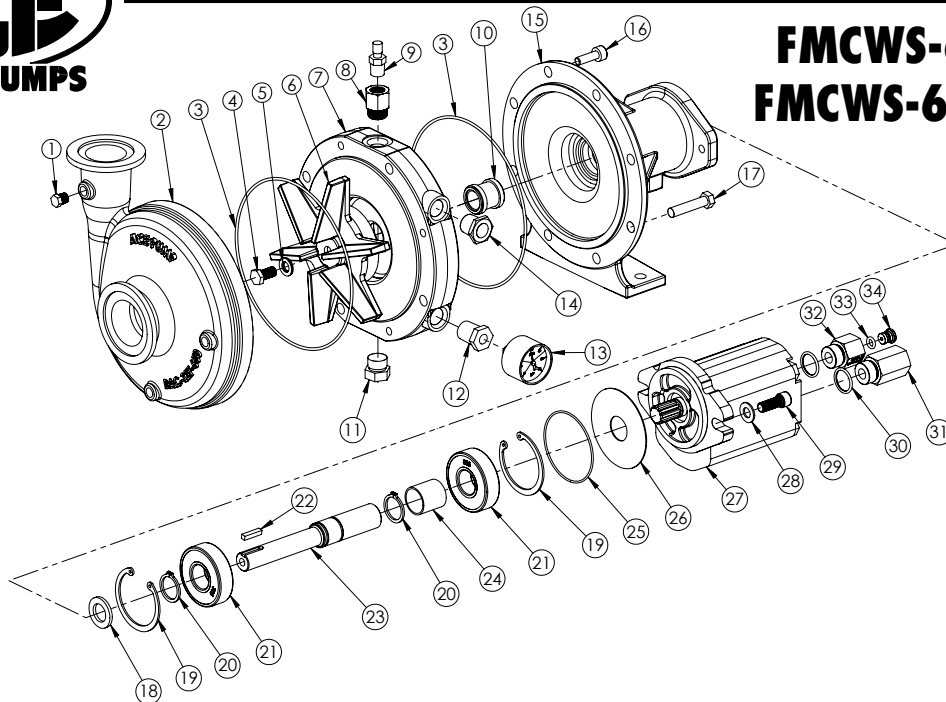


### DIMENSIONS





# FMCWS-650F-HYD FMCWS-650FS-HYD



REF. #	PART NUMBER	EDP #	DESCRIPTION	REQ.
1	BAC-53	41110	Pipe plug, 1/8" NPT, hex head	3
1	41120	41120	Pipe plug, 1/8" NPT, hex head, stainless steel (FS model)	3
2	BAC-12-650-FLG	30159	Volute, NPT & 220 flange x NPT & 200 flange	1
2	BAC-12-650-FLG-SS	30156	Volute, NPT & 220 FLG x NPT & 200 FLG, 316 stainless steel (FS model)	1
3 <sup>①</sup>	BAC-4-150	40015	O-ring, volute seal	2
4	40930	40930	Cap screw, 3/8" NC x 3/4" hex head, stainless steel	1
5 <sup>①</sup>	30029	30029	Washer, 3/8" I.D., sealing, stainless steel	1
6	BAC-26-650-WS	30192	Impeller, cast iron, e-coated, wetseal	1
6	BAC-26-650-WS-SS	30193	Impeller, stainless steel, wetseal (FS model)	1
7	BAC-16-650	45262	Seal plate, cast iron, e-coated	1
7	BAC-16-650-SS	45266	Seal plate, cast iron, 316 stainless steel (FS model)	1
8	41107	41107	Plug, #8 SAE x 1/4" FNTP, hex, with O-ring	1
9	41316	41316	Air valve, 1/4" NPT	1
10 <sup>①</sup>	BAC-7-650-WS	40143	Seal, dual seal assembly, Type 21, .750 shaft	1
11	41108	41108	Plug, #8 SAE, hex head, with O-ring	1
12	44039	44039	Bushing, #8 sae x 1/8" FNPT	1
12	44038	44038	Bushing, 1/2" MNPT x 1/8" FNPT (prior to 11/11)	1
13	50150	50150	Gauge, pressure, 0-60 PSI, 1/8" NPT	1
14	55851	55851	Gauge, sight, brass, #8 SAE, with float	1
14	55850	55850	Gauge, sight, brass, 1/2" NPT (prior to 11/11)	1
15	BAC-14-650-HYD	40325	Mounting frame, cast iron, e-coated	1
16	41907	41907	Cap screw, 3/8" NC x 1", socket head, stainless steel (seal plate)	4
17	BAC-42	40970	Cap screw, 3/8" NC x 2" hex head (volute)	4
18	BAC-54-650	41132	Slinger, 1.5" OD x 7/8" ID	1
19	41943	41943	Snap ring, internal, mounting frame	2
20	ACAL-32	30174	Snap ring, external, shaft	2
21	40875	40875	Bearing, FMC-650 models	2
22	41085	41085	Key, .188 x .188 x .875	1
23	BAC-6-650-HYD-SS-WS	40049	Shaft, 11T female spline, stainless steel	1
24	BAC-32-650-WS	40802	Spacer, shaft	1
25	43419	43419	O-ring, flange, M Series (effective 6/15)	1
26	43414	43414	Pad, absorbent, M Series (effective 6/15)	1
27	BAC-75-HYD-M16	41359	Hydraulic motor, pressure plated gear, 14.5 GPM	1
27	BAC-75-HYD-M16-CD	41358	Hydraulic motor, pressure plated gear, 14.5 GPM, case drain (optional)	1
28	42701	42701	Washer, 3/8", stainless steel	2
29	41907	41907	Cap screw, 3/8" NC x 1", socket head, stainless steel	2
30	41445	41445	O-ring, #10 SAE fitting	2
31	BAC-78-10SAE	41442	Reverse check, #10 SAE male x 1/2" FNPT	1
32	BAC-80-10SAE	41446	Body, adapter/restrictor, #10 SAE male x 1/2" FNPT	1
33	41448	41448	O-ring, restrictor insert	1
34	BAC-79-8	41447	Restrictor orifice insert, .125	1
*35 <sup>①</sup>	55032	55032	Barrier fluid, quart	0.45
①	RK-FMCWS-650	52722	Repair kit, includes items 3 (2 each), 5, 10, and 33 (1 quart)	--

\* - not shown in parts diagram