



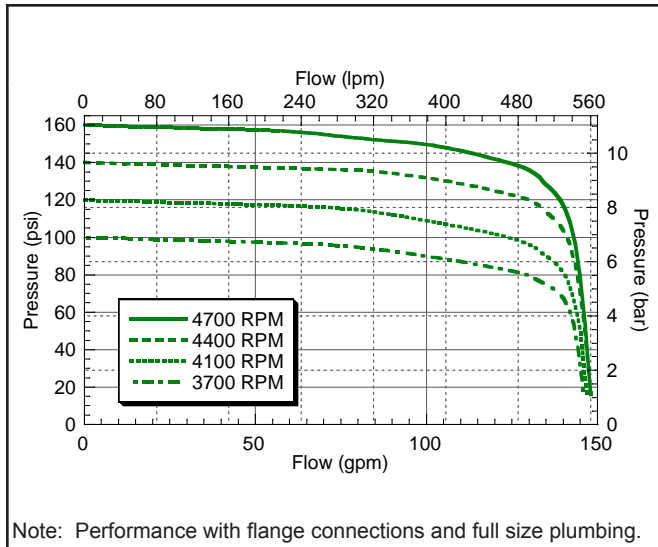
High Performance Oasis™ Wet Seal Centrifugal Pump



FMCWS-650F FMCWS-650FS

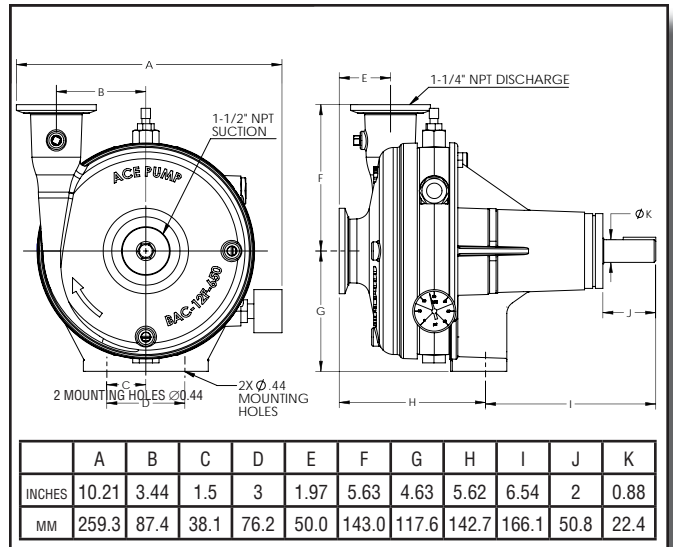
- Suction 220 Flange & 1-1/2" NPT
- Discharge 200 Flange & 1-1/4" NPT
- High Performance Pump
 - Maximum Flow 170 GPM (644 LPM)
 - Maximum Pressure 160 PSI (11 BAR)
- WetSeal Technology
 - Prevents Run Dry Failure
 - Isolates Seals from Chemicals and Fertilizers
- Maximum Reliability
 - FS Model - 316 Stainless Steel
 - Operates at Lower RPM
 - Oversized Bearings
 - E-coat Corrosion Protection
- 2 Year Warranty

PERFORMANCE CHART



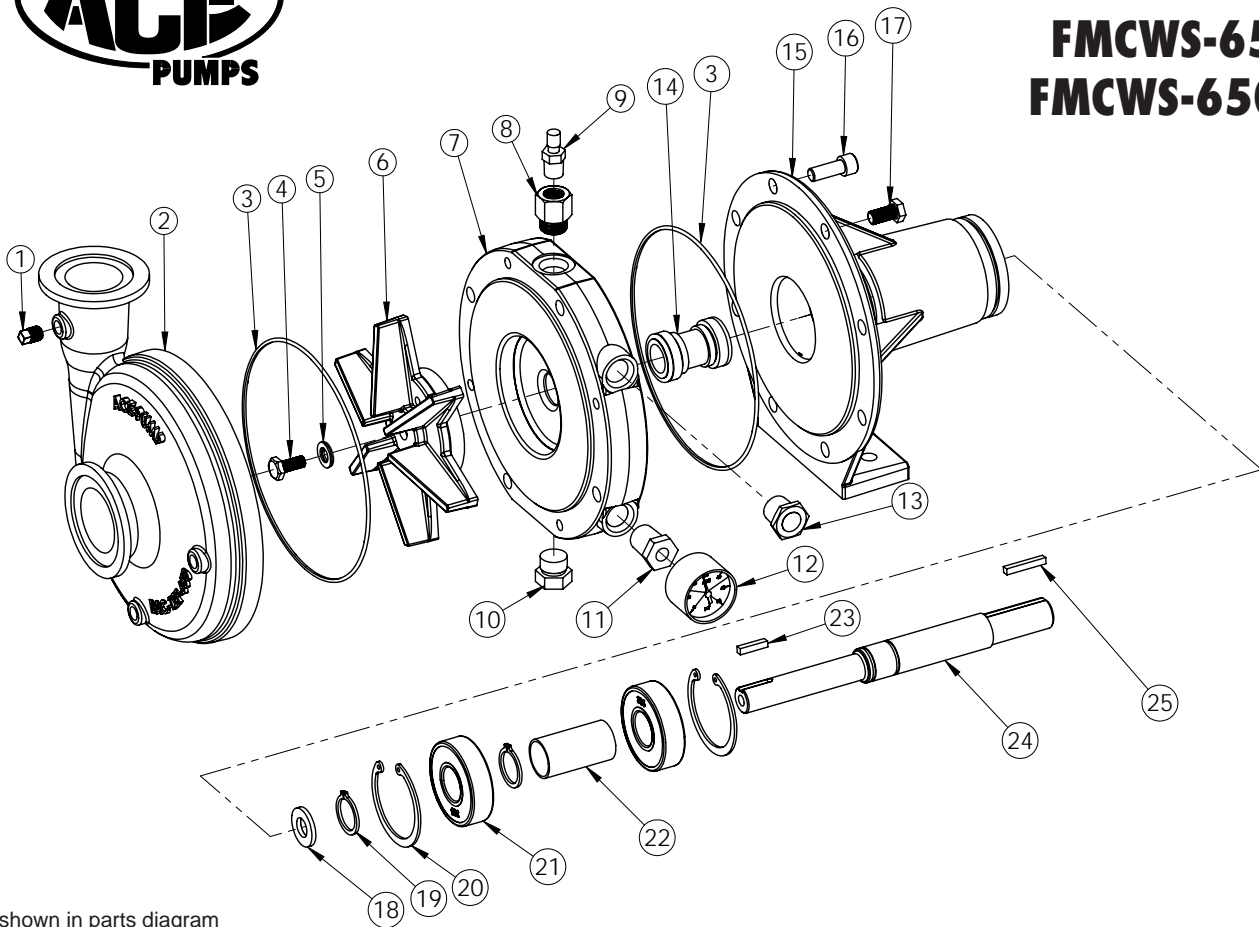
Note: Performance with flange connections and full size plumbing.

DIMENSIONS





FMCWS-650F FMCWS-650FS



* - not shown in parts diagram

REF. #	PART NUMBER	EDP #	DESCRIPTION	REQ.
1	BAC-53	41110	Pipe plug, 1/8" NPT	3
1	41120	41120	Pipe plug, 1/8" NPT, stainless steel (optional)	3
2	BAC-12-650-FLG	30159	Volute, NPT & 220 flange x NPT & 200 flange, e-coated cast-iron	1
2	BAC-12-650-FLG-SS	30156	Volute, NPT & 220 flange x NPT & 200 flange, stainless steel (optional)	1
3 [Ⓢ]	BAC-4-150	40015	O-ring, volute seal	2
4	40930	40930	Cap screw, 3/8" NC x 3/4" hex head, stainless steel	1
5 [Ⓢ]	30029	30029	Washer, 3/8" I.D., sealing, stainless steel	1
6	BAC-26-650-WS	30192	Impeller, cast iron, wetseal, e-coated	1
6	BAC-26-650-WS-SS	30193	Impeller, stainless steel, wetseal (optional)	1
7	BAC-16-650	45262	Seal plate, cast iron, e-coated	1
7	BAC-16-650-SS	45266	Seal plate, cast iron, stainless steel (optional)	1
8	41107	41107	Bushing, #8 SAE x 1/4" FNTP, hex, with O-ring	1
9	41316	41316	Air valve, 1/4" NPT	1
10	41108	41108	Plug, #8 SAE, hex head, with O-ring	1
11	44039	44039	Bushing, #8 SAE x 1/8" FNTP	1
12	50150	50150	Gauge, pressure, 0-60 PSI, 1/8" NPT	1
13	55851	55851	Gauge, sight, #8 SAE, with float	1
14 [Ⓢ]	BAC-7-650-WS	40143	Seal, dual seal assembly, Type 21, .750 shaft	1
15	BAC-14-650-HYD	40325	Mounting frame, cast iron, e-coated	1
16	41907	41907	Cap screw, 3/8" NC x 1", socket head, stainless steel (seal plate)	4
17	BAC-42	40970	Cap screw, 3/8" NC x 2" hex head (volute)	4
18	GE-54-660	42222	Slinger, 1.25" OD x .75" ID	1
19	ACAL-32	30174	Snap ring, external, shaft	2
20	41943	41943	Snap ring, internal, mounting frame	2
21	40875	40875	Bearing, FMC-650 models	2
22	BAC-32-650	40794	Spacer, shaft	1
23	41085	41085	Key, .188 x .188 x .875	1
24	BAC-6-650-SS-WS	40047	Shaft, stainless steel, 1" keyed	1
25	BAC-50	41080	Key, 3/16" x 3/16" x 1-1/4"	1
*26 [Ⓢ]	55032	55032	Barrier fluid, quart	0.45
Ⓢ	RK-FMCWS-650	52722	Repair kit, includes items 3 (2 each), 5, 14, and 26 (1 quart)	--