



# Frame Mounted Centrifugal Pump



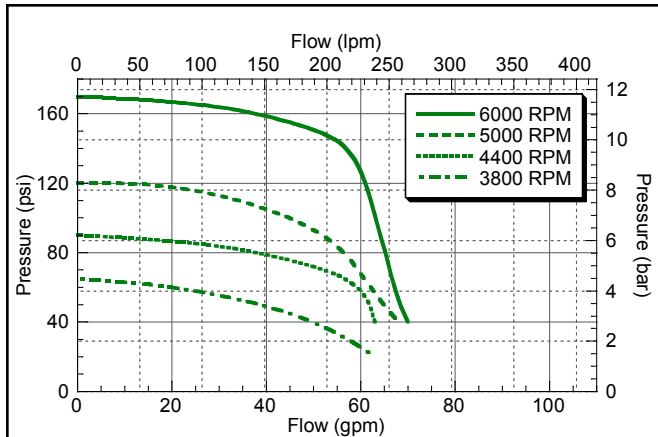
## FMC

- Suction 1-1/4" - Discharge 1"
- Counterclockwise Rotation when Facing Shaft End
- Stainless Steel Shaft and Wear Ring
- Chemical Resistant Valox® or Optional Cast Iron Impeller
- Standard Viton® Carbon/Ceramic seal or Optional Severe Duty Silicon Carbide Mechanical Seal

® Valox is a registered trademark of GE Plastics.

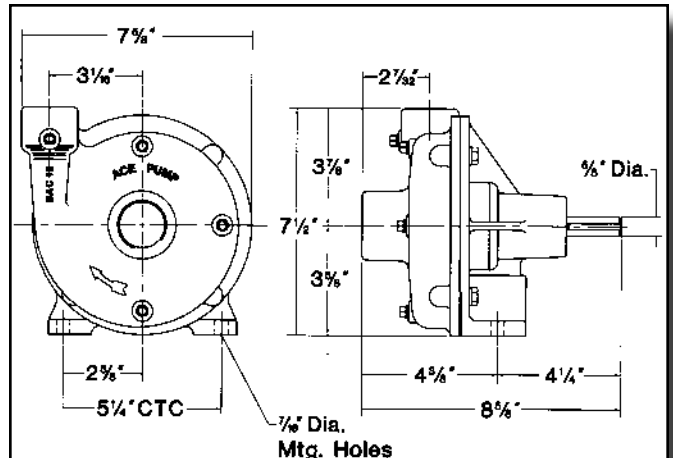
® Viton is a registered trademark of DuPont Dow Elastomers.

## PERFORMANCE CHART

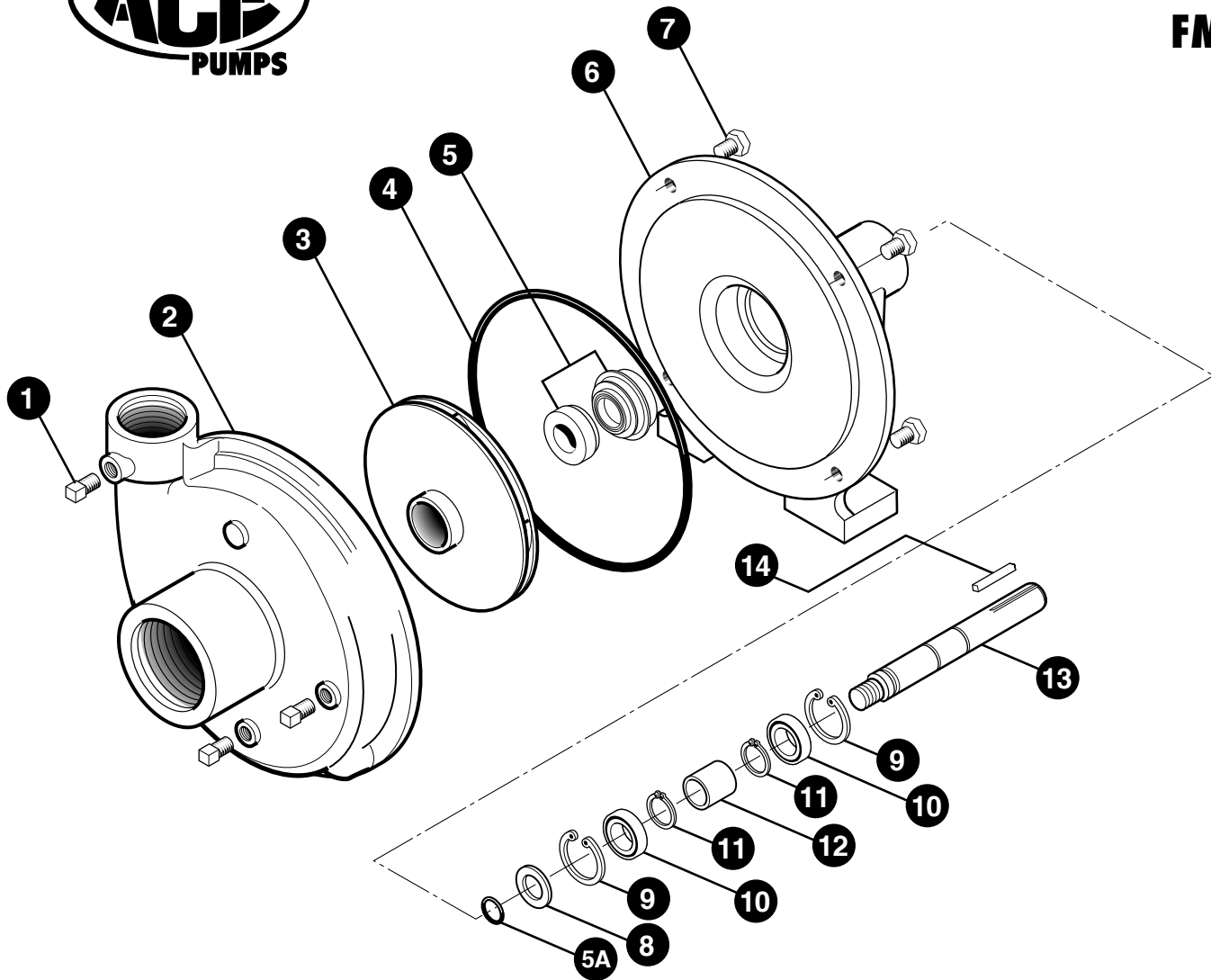


$$\frac{\text{Pump RPM}}{\text{Driveshaft RPM}} = \frac{\text{Drive Pulley Diameter}}{\text{Pump Pulley Diameter}}$$

## DIMENSIONS



INCHES	8 5/8	7 5/8	7 1/2	5 1/4	4 3/8	4 1/4	3 7/8	3 5/8	3 1/16	2 5/8	2 7/32
MM	219.1	193.7	190.5	133.4	111.1	108.0	98.4	92.1	77.8	66.7	56.4



REF. #	PART NUMBER	EDP #	DESCRIPTION	REQ.
1	BAC-53	41110	Pipe plug	3
1	41120	41120	Pipe plug, stainless steel (optional)	3
2	BAC-12	40250	Volute, 1 1/4" x 1"	1
3	BAC-26-VALOX	40430	Impeller, Valox, left hand thread	1
3	BAC-26-CI	40432	Impeller, cast iron, left hand thread (optional)	1
4 <sup>①②</sup>	BAC-4A	40005	O-ring, body seal	1
4	BAC-4	40010	Gasket, 4 hole, (obsolete 1996)	1
5 <sup>①</sup>	BAC-7V	40151	Seal, mechanical, Viton, includes 40160 "O" Ring	1
5 <sup>②</sup>	BAC-7SC	40152	Seal, mechanical, silicon carbide, includes 40160 (optional)	1
5A <sup>①②</sup>	40160	40160	"O" Ring for BAC-6 shaft	1
6	BAC-14-F	40310	Mounting frame	1
7	40950	40950	Cap screw, 3/8" NC x 3/4" hex head	4
7	40930	40930	Cap screw, 3/8" NC x 3/4" hex head, stainless steel (optional)	4
8	BAC-54	41130	Slinger	1
9	BAC-33	40810	Snap ring, internal, BAC-14 mounting frame	2
10	BAC-37	40870	Ball bearing, sealed, BAC-6 shaft	2
11	BAC-32	40790	Snap ring, external, BAC-6 shaft	2
12	BAC-32-S	40795	Spacer for BAC-6 shaft	1
13	BAC-6-SS	40070	Shaft, 5/8" diameter, left hand thread, stainless steel	1
14	BAC-50	41080	Key, 3/16" x 3/16" x 1-1/4"	1
①	RK-FMC	52700	Repair kit for FMC series	-
②	RK-FMCSC	52706	Repair kit for FMC series with silicon cardide seal	-