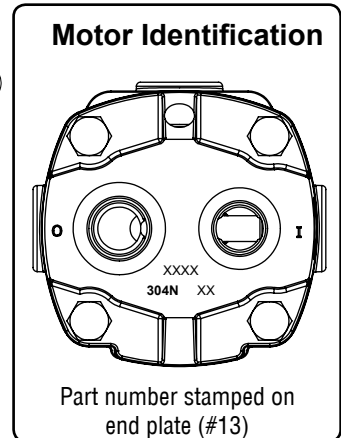
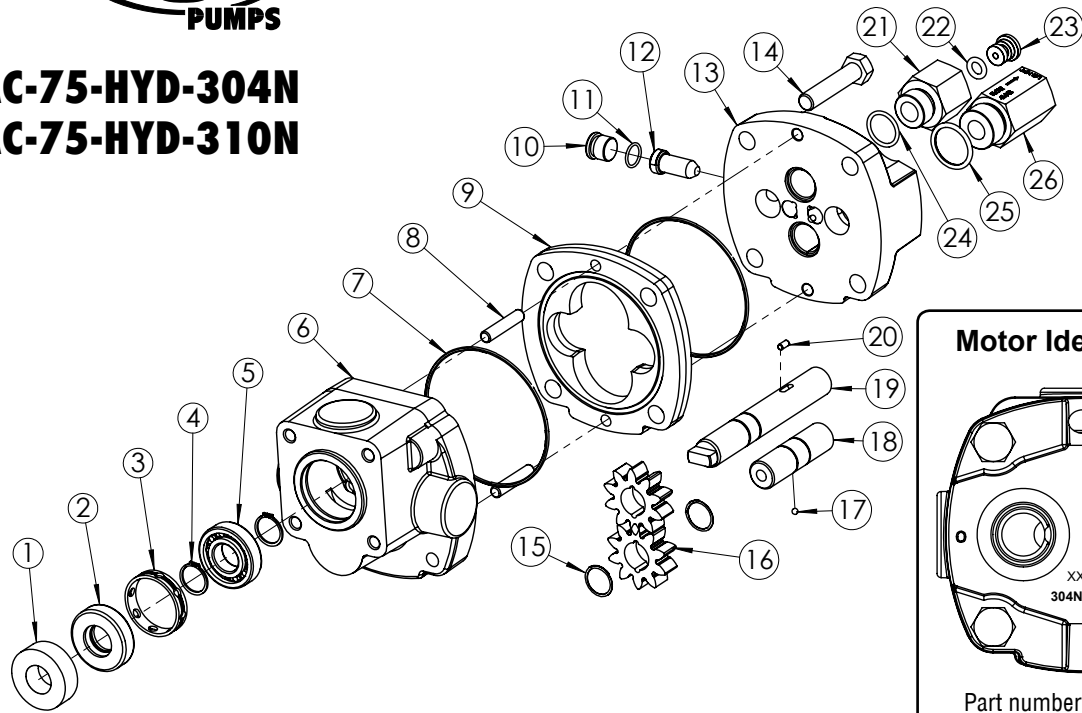




HYDRAULIC MOTOR PARTS LIST

BAC-75-HYD-304N BAC-75-HYD-310N



REF #	MODEL 304N	MODEL 310N	DESCRIPTION	REQ.
1	40162	40162	Seal support spacer, S300 for 200 Series pumps	1
1	40163	40163	Seal support spacer, S305 for 205 Series pumps	1
2 [Ⓛ]	40154	40154	Seal cartridge, BAC-75-300-TLS	1
3	43056	43056	Spacer seal/bearing, perforated, 300 series motor	1
4	43205	43205	Retaining ring, bearing	2
5	43225	43225	Ball bearing	1
6	43016	43016	Drive plate	1
7 [Ⓛ]	43130	43130	O-ring, housing seal	2
8	43085	43080	Dowel pin, housing	2
9	43005	43000	Gear housing	1
10	43277	43277	Cap, needle valve with O-ring, 300N series motor	1
11 [Ⓛ]	43276	43276	O-ring, needle valve cap	1
12	43266	43266	Needle, 300N series motor	1
13	43022	43022	End plate, 300N series motor	1
14	43185	43180	Cap screw, 3/8" N.C. hex head	4
15	43240	43240	Retaining ring, gear	2
16	43035	43030	Gear	2
17	43250	43250	Ball, idler shaft	1
18	43235	43230	Idler shaft	1
19	43046	43039	Drive shaft	1
20	43195	43190	Dowel pin, drive shaft	1
21	41455	41455	Body, restrictor orifice, #8SAE x 1/2" NPT	1
22	41448	--	O-ring, orifice insert	1
23	41447	--	Orifice insert, restrictor insert	1
24	41875	41875	O-ring, #8 SAE fitting	1
25	41445	41445	O-ring, #10 SAE fitting	1
26	41442	41442	Reverse check assembly, #10 SAE x 1/2" NPT	1
Ⓛ	41362	41362	Motor repair kit, includes 2, 7, 11	--