



PRODUCT UPDATE

Number 14
Revised 10/06

200N Series Motors

Ace has been working on several motor improvements with the goals of improved reliability and extended motor life. We are now pleased to introduce the Ace 200N Series Hydraulic Motors to the industry. We made every effort to minimize the number of new parts and have listed these parts on the back of this sheet.

Motor Improvements

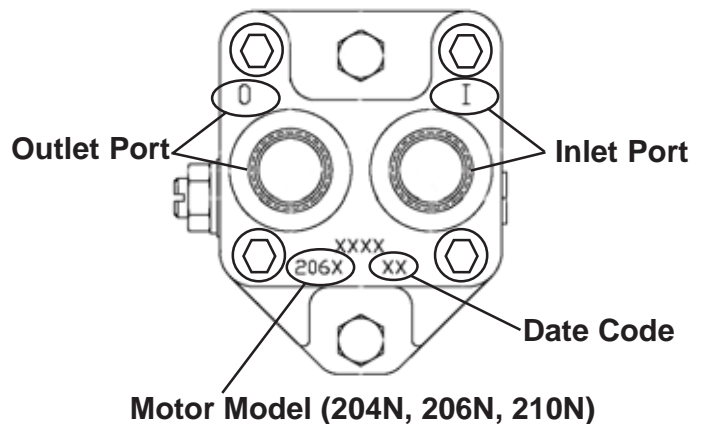
- ✓ The extended motor shaft eliminates the coupler (BAC-76-HYD) between the motor and pump shafts. The new shaft will retrofit into older motors so the part numbers will not change.
- ✓ The needle valve has been moved to the low pressure, return side to improve thread seal reliability.
- ✓ The high pressure lip seal and seal support spacer are standard in these motors.
- ✓ The reverse check valve is now outside the motor to reduce damage in cases of excess hydraulic flow. The external check valve screws into the #8 SAE motor outlet port and has a 1/2" NPT hose connection.
- ✓ The restrictor orifice is now a two piece design with an adapter and orifice insert. The adapter screws into the #8 SAE motor inlet port and has a 1/2" NPT hose connection.
- ✓ Both motor ports are now on the rear of the motor, allowing hoses to be run together. The four motor mounting bolts have been changed to socket head cap screws to prevent interference with fittings.
- ✓ The motor less the external fittings will have the "N" designation in the part number (i.e. BAC-75-HYD-206N). The motor with the external fittings will keep the same part number and replace the earlier model (i.e. BAC-75-HYD-206).

Models and Identification

The following models will be phased in during the summer of 2006:

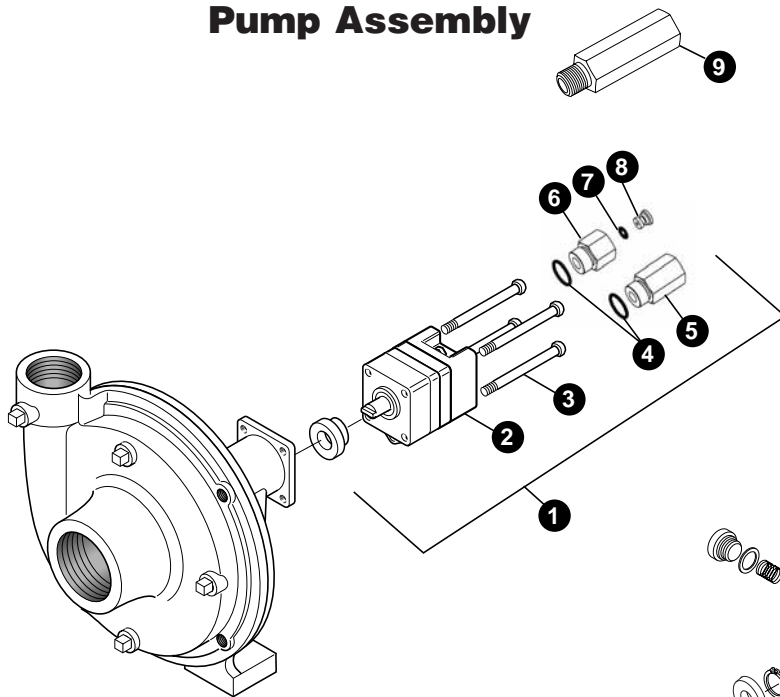
Motor Model	Starting Date Code
BAC-75-HYD-204N	N6
BAC-75-HYD-206N	N6
BAC-75-HYD-210N	N6

NOTE: The hydraulic hose connections for the N Series pumps and motors are female 1/2" NPT.

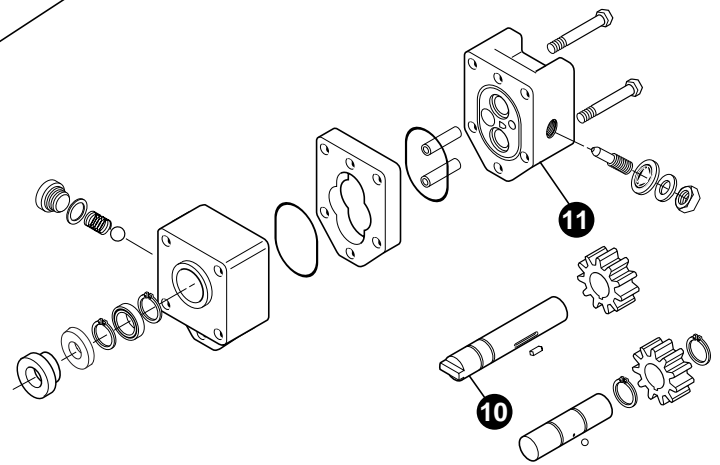


New Parts Identified by Numbered Balloons

Pump Assembly



Motor Assembly



REF.	PART NUMBER	EDP #	DESCRIPTION	REQ.
1	BAC-75-HYD-204	41370	Hydraulic motor, 4 GPM (complete motor assembly - includes parts 2, 3, 4, 5, 6, 7, and 8)	1
1	BAC-75-HYD-206	41372	Hydraulic motor, 7 GPM (complete motor assembly - includes parts 2, 3, 4, 5, 6, 7, and 8)	1
1	BAC-75-HYD-210	41375	Hydraulic motor, 10 GPM (complete motor assembly - includes parts 2, 3, 4, 5, 6, 7, and 8)	1
2	BAC-75-HYD-204N	41433	Hydraulic motor, 4 GPM (motor only - no external fittings)	1
2	BAC-75-HYD-206N	41397	Hydraulic motor, 7 GPM (motor only - no external fittings)	1
2	BAC-75-HYD-210N	41434	Hydraulic motor, 10 GPM (motor only - no external fittings)	1
3	41253	41253	Cap screw, 5/16"NC x 3-1/2", socket head, 204N	4
3	41255	41255	Cap screw, 5/16"NC x 3-3/4", socket head, 206N	4
3	41254	41254	Cap screw, 5/16"NC x 4", socket head, 210N	4
4	41875	41875	O-ring, #8 SAE fitting	2
5	BAC-78-8SAE	41441	Reverse check valve, #8SAE male x 1/2" NPT female	1
6	BAC-80-8SAE	41455	Adapter, restrictor body, #8SAE male x 1/2" NPT female	1
7	41448	41448	O-ring, orifice insert	1
8	BAC-79-5	41457	Orifice, restrictor insert, .078 (204N)	1
8	BAC-79-7	41456	Orifice, restrictor insert, .109 (206N & 210N)	1
9	LS-204N	41417	Flow limiting valve, BAC-75-HYD-204N, #8SAE male x 1/2" NPT female (optional)	1
9	LS-206N	41418	Flow limiting valve, BAC-75-HYD-206N, #8SAE male x 1/2" NPT female (optional)	1
9	LS-210N	41423	Flow limiting valve, BAC-75-HYD-210N, #8SAE male x 1/2" NPT female (optional)	1
10	41761	41761	Drive shaft, 204 motor (extended shaft replaces previous shaft - no coupler required)	1
10	41764	41764	Drive shaft, 206 motor (extended shaft replaces previous shaft - no coupler required)	1
10	41766	41766	Drive shaft, 210 motor (extended shaft replaces previous shaft - no coupler required)	1
11	41742	41742	End plate, 200N Series motors	1
#	41459	41459	Bushing adapter, 1/2" NPT male x 3/8" NPT female (optional)	2