



# PRODUCT UPDATE

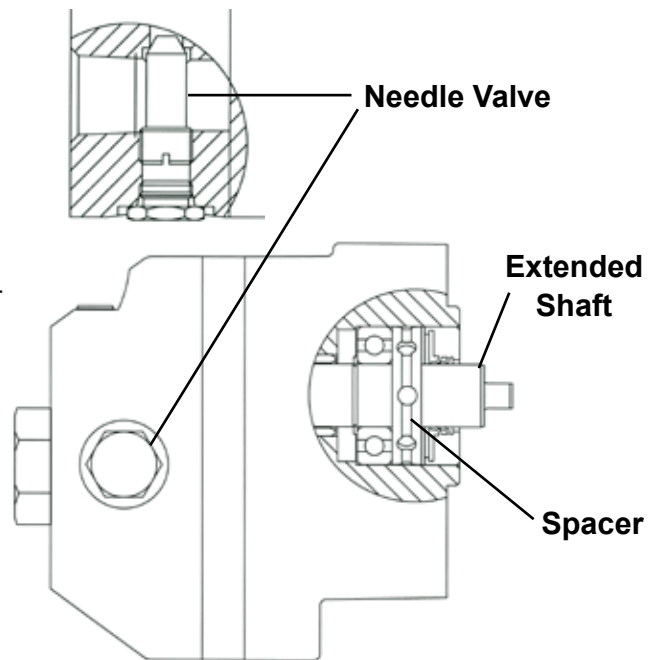
Number 15

## 300A Series Motors

Ace has been working on several motor improvements with the goals of improved reliability and extended motor life. We are now pleased to introduce the Ace 300A Series Hydraulic Motors to the industry. We made every effort to minimize the number of new parts which are listed on the back of this sheet.

### Motor Improvements

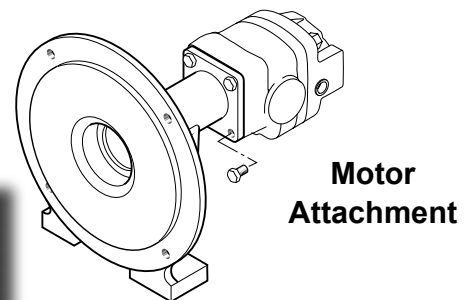
- ✓ The extended motor shaft eliminates the coupler (BAC-76-HYD) between the motor and pump shafts.
- ✓ A perforated spacer has been added between the shaft seal and bearing. The spacer improves oil flow to the seal reducing seal temperature and improving life.
- ✓ The high pressure lip seal and seal support spacer are standard in these motors.
- ✓ The needle valve is submerged in the casting and covered by a hex cap with o-ring seal to prevent leakage.
- ✓ The motor bolts attach from the pump side for easier installation and service. The bolts install through the mounting frame motor flange and thread into the motor drive plate. The "A" motor may be installed on older pumps by drilling the threads out of the four motor mount holes on the pump frame with a 3/8" drill.



### Models and Identification

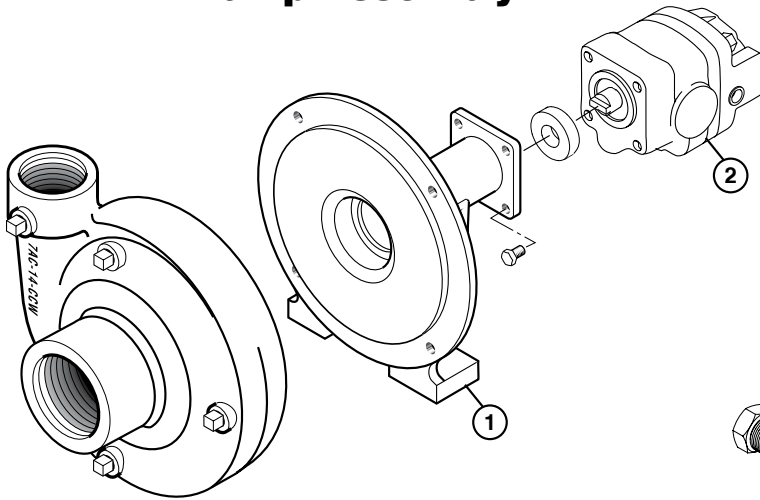
The model code and date code are stamped on the motor end plate.

| Motor Model        | Model Code | Starting Date Code |
|--------------------|------------|--------------------|
| BAC-75-HYD-304A    | 304A       | N1                 |
| BAC-75-HYD-307A-CD | 307A       | N7                 |
| BAC-75-HYD-310A    | 310A       | N1                 |

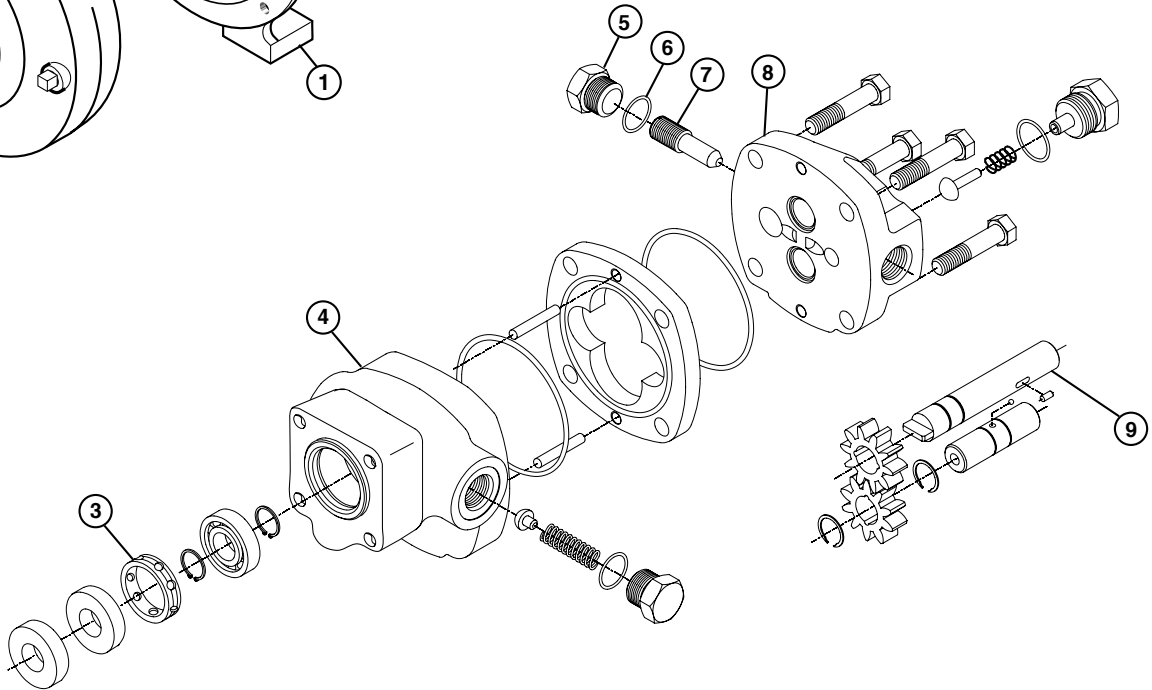


# New Parts Identified by Numbered Balloons

## Pump Assembly



## Motor Assembly



| REF. | PART NUMBER           | EDP # | DESCRIPTION   | REQ. |
|------|-----------------------|-------|---|------|
| 1    | BAC-14-HYD-300A       | 40314 | Mounting frame, 300A motor  | 1    |
| 2    | BAC-75-HYD-304A       | 41388 | Hydraulic motor, A series, 11 gpm maximum flow,                   | 1    |
| 2    | BAC-75-HYD-304A-12SAE | 41426 | Hydraulic motor, A series, 11 gpm maximum flow, #12 SAE end ports | 1    |
| 2    | BAC-75-HYD-307A-CD    | 41386 | Hydraulic motor, A series, #6 SAE case drain, #12 SAE end ports   | 1    |
| 2    | BAC-75-HYD-310A       | 41389 | Hydraulic motor, A series   | 1    |
| 3    | 43056                 | 43056 | Spacer, perforated, seal/bearing 300A series motor                | 1    |
| 4    | 43016                 | 43016 | Drive plate, 300A series motor                                    | 1    |
| 4    | 43017                 | 43017 | Drive plate, 300A-CD series motor                                 | 1    |
| 5    | 43275                 | 43275 | Cap, needle valve 300A series motor                               | 1    |
| 6    | 43276                 | 43276 | O-ring, needle cap 300A series motor                              | 1    |
| 7    | 43265                 | 43265 | Needle, 300A series motor   | 1    |
| 8    | 43021                 | 43021 | End plate, 300A series motor                                      | 1    |
| 9    | 43046                 | 43046 | Drive shaft, 304A motor   | 1    |
| 9    | 43043                 | 43043 | Drive shaft, 307A motor   | 1    |
| 9    | 43039                 | 43039 | Drive shaft, 310A motor   | 1    |