



PRODUCT UPDATE

Number 18

300N Series Motors

Ace has been working on several motor design changes to simplify hose connections, improve reliability, and extended motor life. We are pleased to introduce the Ace 300N Series Hydraulic Motors to the industry. These motors include the features of the 300A motors detailed in Product Update 15 plus the following:

Motor Improvements

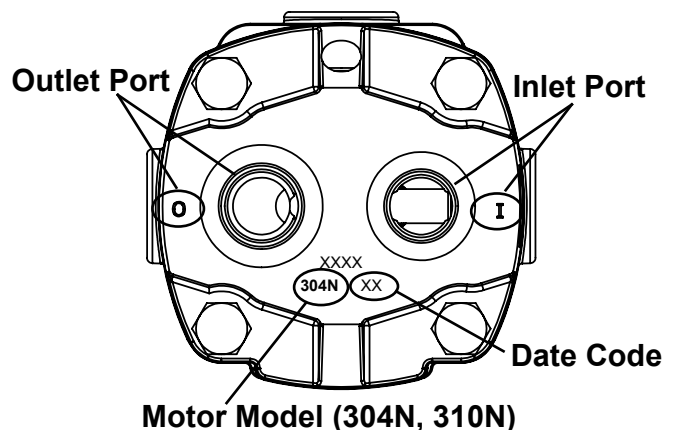
- ✓ The submerged needle valve has been improved with a new longer cap for more thread engagement. The adjustment needle now uses the same 3/16" allen wrench as the cap for more positive drive during adjustment. The new needle and cap may also be used together in 300A motors.
- ✓ The high pressure lip seal and seal support spacer are standard in these motors.
- ✓ The motor with external fittings will use the base part number (ex. BAC-75-HYD-304). The motor less the external fittings will have the "N" designation in the part number (ex. BAC-75-HYD-304N).
- ✓ Both motor ports are now on the rear of the motor, allowing hoses to be run together without the need for elbow fittings.
- ✓ The reverse check valve is now outside the motor. The external check valve screws into the #10 SAE motor outlet port and has a 1/2" NPT hose connection.
- ✓ The restrictor orifice is now a two piece design with an adapter and orifice insert. The adapter screws into the #8 SAE motor inlet port and has a 1/2" NPT hose connection.

Models and Identification

The following models will be introduced in the spring of 2013:

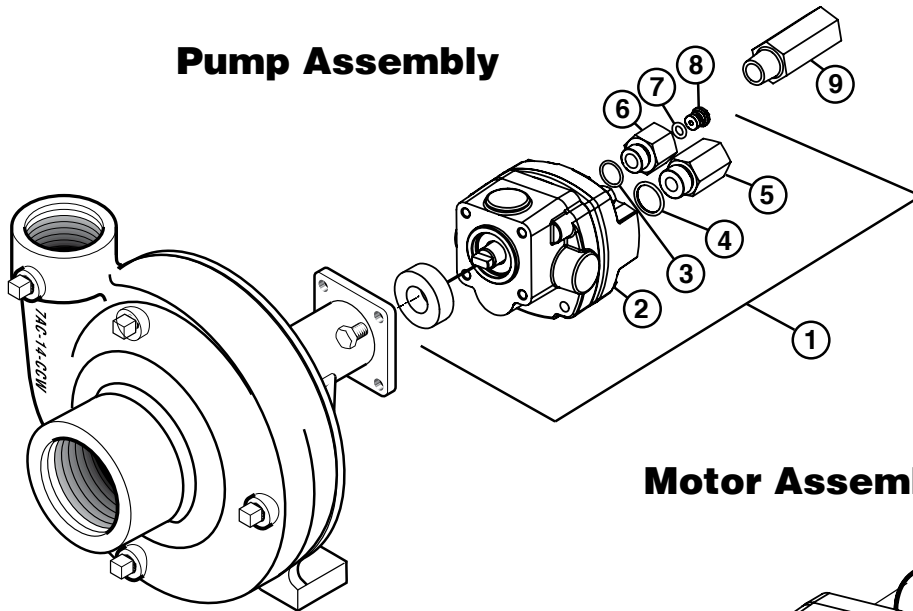
| Motor Model | Model Code | Starting Date Code |
|----------------|------------|--------------------|
| BAC-75-HYD-304 | 304N | T-11 |
| BAC-75-HYD-310 | 310N | U-3 |

Note: These motors may be used as direct replacements for 300A series motors. Hose connections are 1/2" NPT for both models.

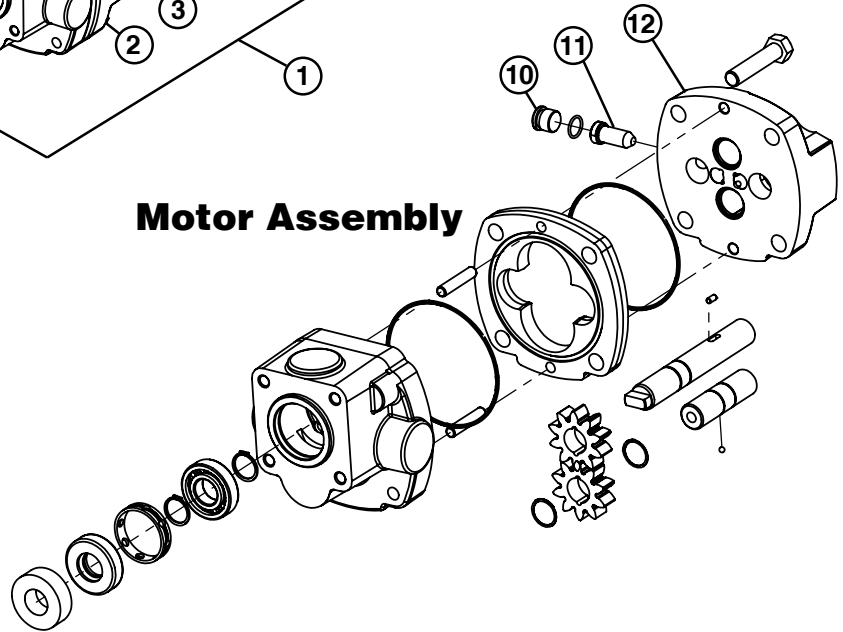


New Parts Identified by Numbered Balloons

Pump Assembly



Motor Assembly



| REF. # | PART NUMBER | EDP # | DESCRIPTION | REQ. |
|--------|-----------------|-------|-----------------------------------------------------------------|------|
| 1 | BAC-75-HYD-304 | 41381 | Hydraulic motor, 11 GPM (complete assembly - includes 2-8) | 1 |
| 1 | BAC-75-HYD-310 | 41378 | Hydraulic motor, 16 - 25 GPM (complete assembly - includes 2-8) | 1 |
| 2 | BAC-75-HYD-304N | 41343 | Hydraulic motor, 11 GPM, effective 5/13 | 1 |
| 2 | BAC-75-HYD-310N | 41344 | Hydraulic motor, 16 - 25 GPM, effective 5/13 | 1 |
| 3 | 41875 | 41875 | O-ring, #8 SAE fitting | 1 |
| 4 | 41445 | 41445 | O-ring, #10 SAE fitting | 1 |
| 5 | BAC-78-10SAE | 41442 | Reverse check assembly, #10 SAE x 1/2" NPT | 1 |
| 6 | BAC-80-8SAE | 41455 | Body, restrictor orifice, #8 SAE x 1/2" NPT | 1 |
| 7 | 41448 | 41448 | O-ring, orifice insert | 1 |
| 8 | BAC-79-8 | 41447 | Orifice insert, restrictor insert, 0.125 (304N) | 1 |
| 9 | LS-304N | 41429 | Flow limiter, #8 SAE x 1/2" NPT, 304N (optional) | 1 |
| 10 | 43277 | 43277 | Cap, needle valve with O-ring, 300N series motor | 1 |
| 11 | 43266 | 43266 | Needle, 300N series motor | 1 |
| 12 | 43022 | 43022 | End plate, 300N series motor | 1 |