



PRODUCT UPDATE

Number 19

M Series Hydraulic Motor Seal Update

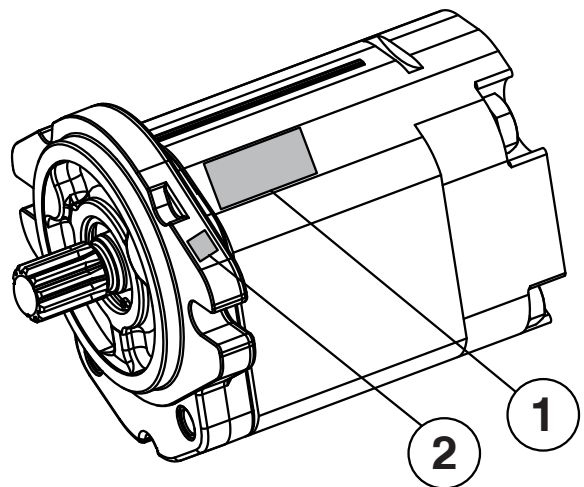
Ace is changing the shaft seal used in the M Series motors as the result of an exhaustive search of the latest sealing technologies. The new seal incorporates several unique features to improve the pressure capability and extend seal life.

The new seal has a larger outside diameter which requires a different front motor flange. A new support ring and retaining ring are also used for the larger diameter seal.

The seals may have a small amount of leakage during the initial startup and run in period. This is common in engineered high pressure seals. Two additional parts have been added to contain this initial weep: 1) an o-ring is used to seal between the pump and motor mounting flanges and 2) an absorbent pad is placed in the cavity between the motor and pump flanges.

See the back of this page for a full listing of the new parts.

- ✓ The new Repair Kit (Ace Part # RK-BAC-75-M) is available to convert older motors to the new type seal or as a service part.
- ✓ The changes will be effective on pumps and motors shipped on or after June 1, 2015.
- ✓ The following motor models are changing to the new seal type:



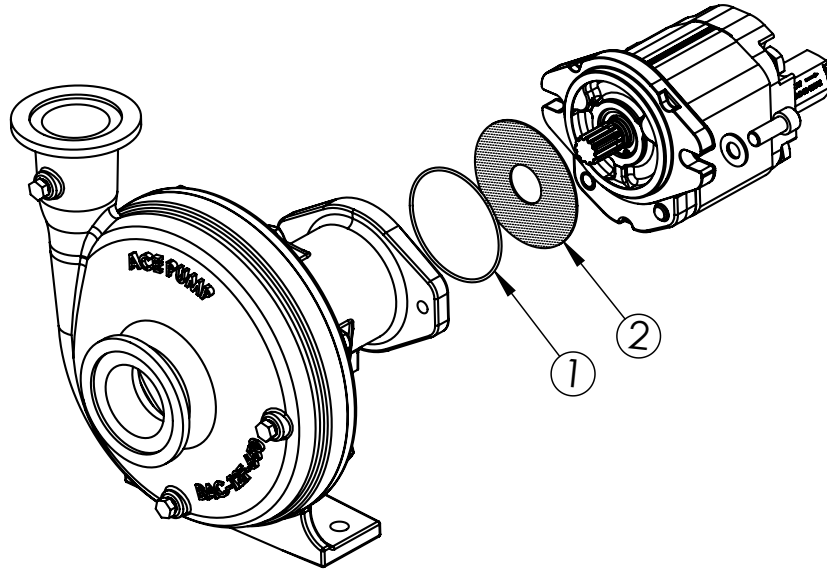
How do I know if my motor has the new seal?

Motor Model	Used on Pump Models	Motor Marking	
		①	or ②
BAC-75-HYD-M16	FMC-650-HYD Series FMC-650F-HYD Series FMC-650FS-HYD Series FMCWS-650F-HYD Series FMCWS-650FS-HYD Series	N1100744	H
BAC-75-HYD-M22	FMC-750F-HYD Series	N1100745	H
BAC-75-HYD-M25	FMC-750F-HYD Series	N1100746	H

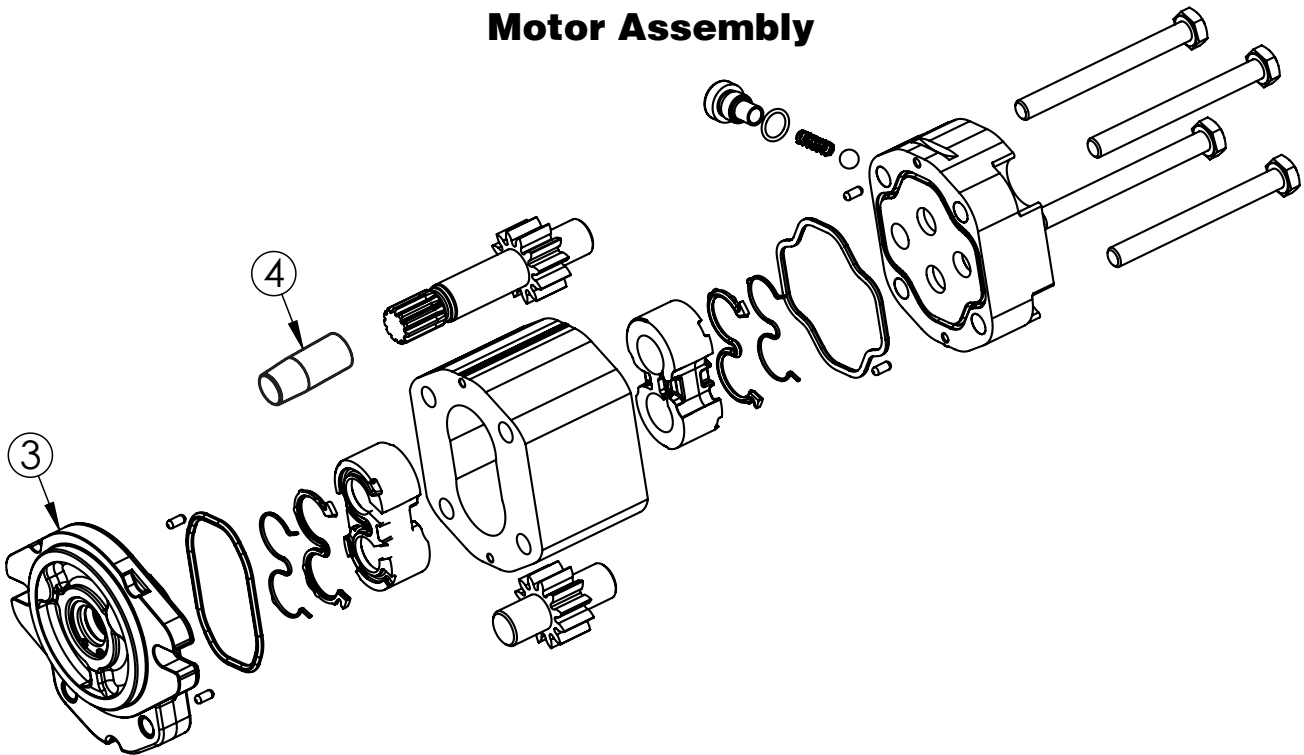
Note: -CD (case drain) motor models are not affected by this change.

New Parts Identified by Numbered Balloons

Pump Assembly



Motor Assembly



REF. #	PART NUMBER	EDP #	DESCRIPTION	REQ.
1	43419	43419	O-RING; FLANGE; M SERIES; EFFECTIVE 6/2015	1
2	43414	43414	PAD; ABSORBENT; M SERIES; EFFECTIVE 6/2015	1
3	43418	43418	FLANGE ASSEMBLY; INCLUDES SEAL, SEAL SUPPORT, & RETAINING RING; EFFECTIVE 6/2015	1
4	43416	43416	INSTALLATION TOOL; SHAFT SEAL	1
*	RK-BAC-75-M	40138	REPAIR KIT; M SERIES (INCLUDES ALL ITEMS ABOVE)	-