



Frame Mounted Centrifugal Pump



FMC

- Suction 1-1/4" - Discharge 1"
- Counterclockwise Rotation when Facing Shaft End
- Stainless Steel Shaft and Wear Ring
- Chemical Resistant Valox® or Optional Cast Iron Impeller
- Standard Viton Carbon/Ceramic seal or Optional Severe Duty Silicon Carbide Mechanical Seal

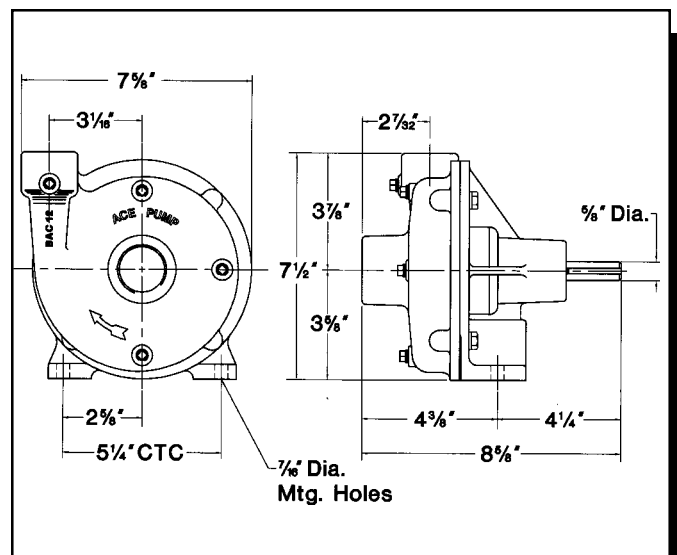
® Registered trademark of GE Plastics

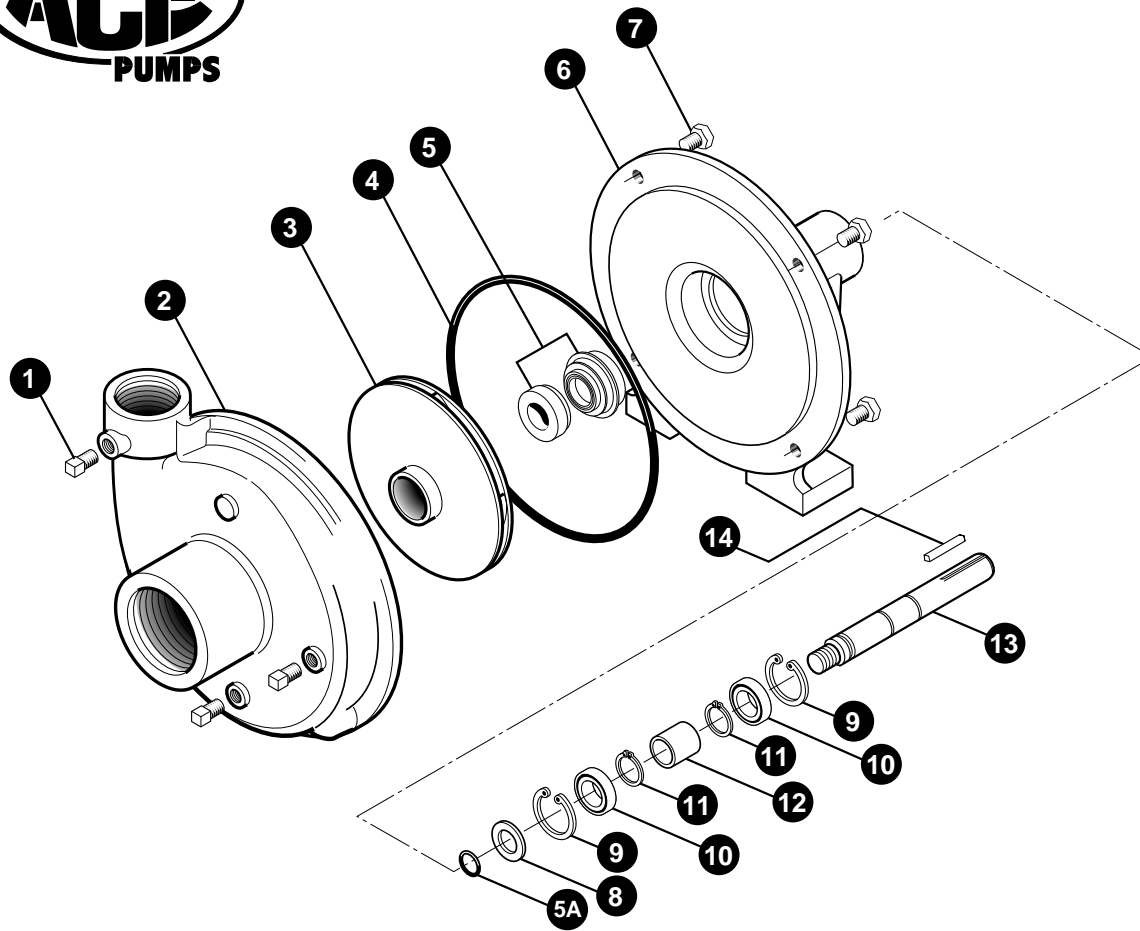
PERFORMANCE CHART

PUMP SHAFT RPM	20 PSI	40 PSI	60 PSI	80 PSI	100 PSI	120 PSI	140 PSI	160 PSI	MAX HP
	GPM	GPM	GPM	GPM	GPM	GPM	GPM	GPM	
3200	55	30	-	-	-	-	-	-	1.0
3800	63	50	20	-	-	-	-	-	1.7
4400	75	63	60	38	-	-	-	-	3.0
5000	75	68	62	57	45	10	-	-	4.2
6000	75	70	67	65	63	62	58	38	6.8

$$\frac{\text{Pump RPM}}{\text{Driveshaft RPM}} = \frac{\text{Drive Pulley Diameter}}{\text{Pump Pulley Diameter}}$$

DIMENSIONS





REF. #	PART #	EDP #	DESCRIPTION	REQ.
1	41110	41110	Pipe plug, 1/8" NPT	3
1	41120	41120	Pipe plug, 1/8" NPT, stainless steel (optional)	3
2	BAC-12	40250	Volute, 1-1/4" x 1", cast iron	1
3	BAC-26-VALOX	40430	Impeller, Valox, left hand thread	1
3	BAC-26-CI	40432	Impeller, cast iron, left hand thread (optional)	1
*4	BAC-4A	40005	"O" Ring for BAC-12 volute seal, effective Apr. '96	1
*4	BAC-4	40010	Gasket, 4 hole	1
*5	BAC-7V	40151	Seal, Viton mechanical seal (includes 40160 "O" ring)	1
5	BAC-7SC	40152	Seal, Silicon carbide mechanical seal (includes 40160 "O" Ring)(optional)	1
5A	40160	40160	"O" Ring for BAC-6 shaft	1
6	BAC-14-F	40310	Mounting frame	1
7	40930	40930	Cap screw, 3/8" NC x 3/4" Hex head, stainless steel (optional)	4
7	40950	40950	Cap screw, 3/8" NC x 3/4" Hex head	4
8	BAC-54	41130	Slinger	1
9	BAC-33	40810	Snap ring, internal, BAC-14 mounting frame	2
10	BAC-37	40870	Bearing, BAC-6 driven shaft	2
11	BAC-32	40790	Snap ring, external, BAC-6 driven shaft	2
12	BAC-32-S	40795	Spacer for BAC-6 shaft	1
13	BAC-6	40050	Shaft, 5/8" Driven shaft, left hand course thread (optional)	1
13	BAC-6-SS	40070	Shaft, 5/8" Driven shaft, left hand thread, stainless steel	1
14	BAC-50	41080	Key, 3/16" x 3/16" x 1-1/4"	1
#	RK-FMC	052700	Repair kit for FMC series	-

* Items included in pump repair kit.